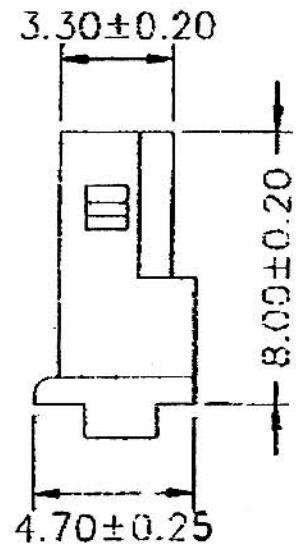
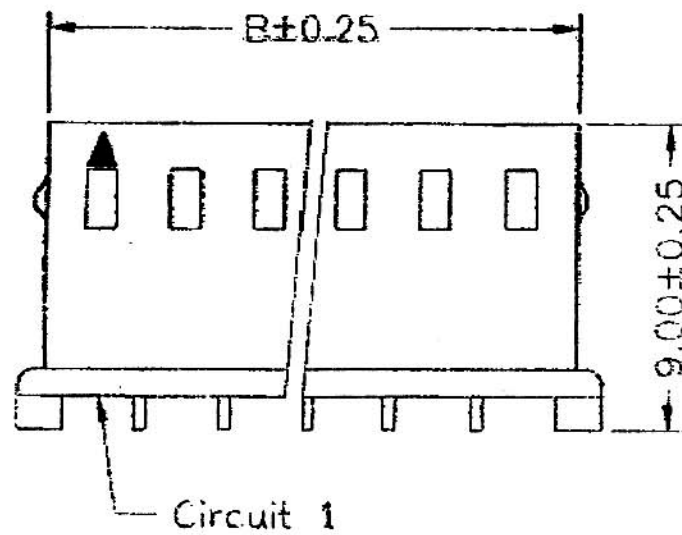
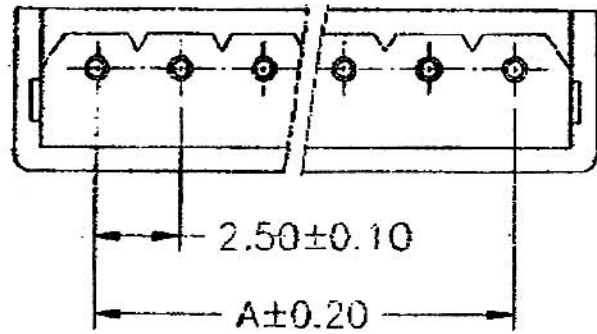
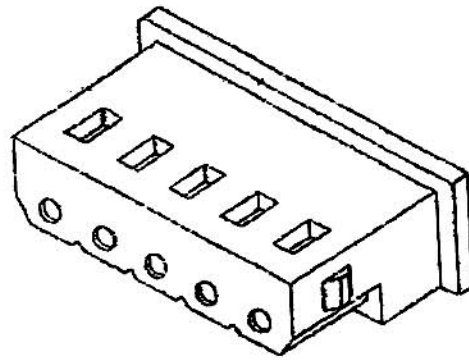


SPECIFICATIONS

Current Rating: 3A AC,DC
 Voltage Rating: 250V AC,DC
 Temperature Range: -25°C ~ +85°C
 Contact Resistance: 20mΩ Max
 Insulation Resistance: 1000MΩ Min
 Withstanding Voltage: 800V AC/minute
 Material: Nylon 66,UL94V-0

NO.	Dimensions	
	A	B
2P	2.50	5.80
3P	5.00	8.30
4P	7.50	10.80
5P	10.00	13.30
6P	12.50	15.80
7P	15.00	18.30
8P	17.50	20.80
9P	20.00	23.30
10P	22.50	25.80
11P	25.00	28.30
12P	27.50	30.80
13P	30.00	33.30
14P	32.50	35.80
15P	35.00	38.30
16P	37.50	40.80



玄茂科技股份有限公司
HSUAN MAO TECHNOLOGY CO., LTD.

UNIT		SCALE	PART NAME	
MM		2:1	MX2.5mm HOUSING	
APPD.	CKD.	TOLERANCE	PART NO.	REV.
		± 0.3	H2530-XXPW0000	A

制表日: 2002/05/09

DRAWING.	APPROVED
Jane	