



Feature - Noiseless, with stroke travel 4.5 mm
 With and without tactile feeling
 Long operation life: 1 million cycles Min.
 High bright LED illumination, Single or Bi-color led.
 (red/greed/yellow/blue/white)
 Legends by film insert, Cap options: 12mm, 15mm and 17.4mm

Applications -

Audio/Video switcher, Telecommunication,
 Broadcast system, Instrumentation,
 POS (Point of Sale) system.

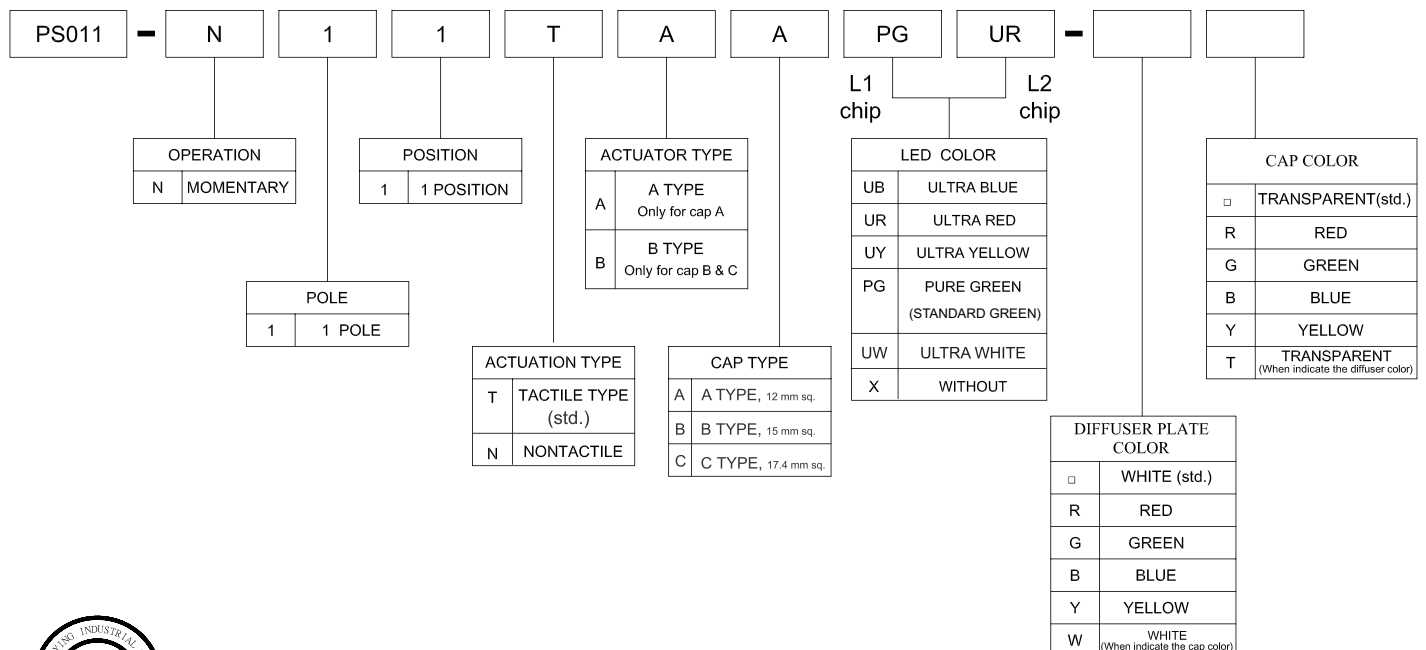
► SPECIFICATIONS

| SWITCH SPECIFICATIONS | |
|-----------------------------|--|
| POLE - POSITION | OFF - <ON> for Momentary Type , SPST |
| CONTACT RATING | 100mA 12V DC |
| CONTACT RESISTANCE | 200 mΩ max . |
| INSULATION RESISTANCE | 100 MΩ min . 500 V DC |
| DIELECTRIC STRENGTH | Breakdown is not Allowable ; 500 V AC for 1 Minute |
| OPERATING FORCE | 250 ± 100 gf |
| OPERATING LIFE | 1,000,000 cycles |
| OPERATING TEMPERATURE RANGE | -20°C ~ 70°C |
| TOTAL TRAVEL | 4.5 ± 0.2 mm |

| LED SPECIFICATIONS | | | | | |
|-------------------------|-----------|------|-------------------|------------|-----------|
| | ATTENTION | Unit | Value / LED Color | | |
| | | | Ultra Green | Pure Green | Ultra Red |
| FORWARD CURRENT | IF | mA | 30 | 20 | 20 |
| REVERSE VOLTAGE | VR | V | 5.0 | 5.0 | 5.0 |
| REVERSE CURRENT | IR | μA | 10 | 10 | 10 |
| FORWARD VOLTAGE@20mA | VF | V | 1.7-2.5 | 3.1-3.8 | 1.7-2.6 |
| LUMINOUS INTENSITY@20mA | IV | mcd | 20 | 100 | 60 |

■ Physical and electrical information of LED will be provided upon customer's request on switches .

► HOW TO ORDER

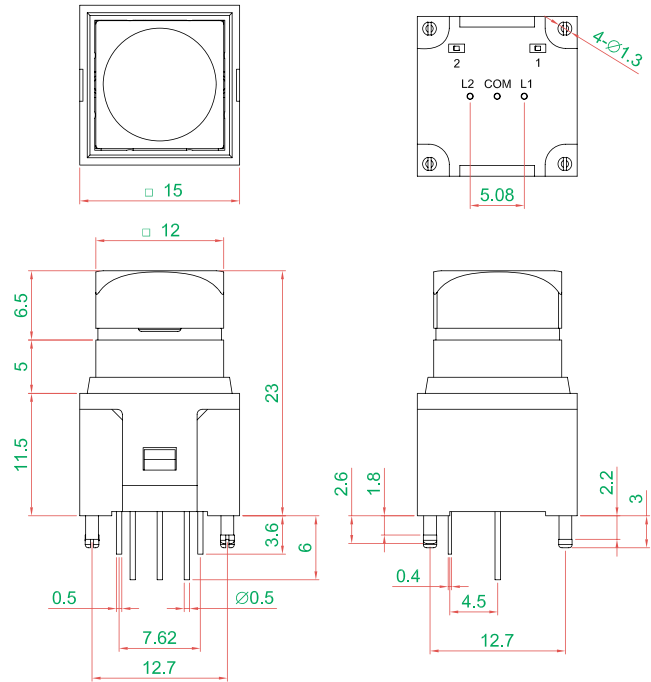


► DIMENSION & FRAME TYPE

PS011-N11TAA □ □



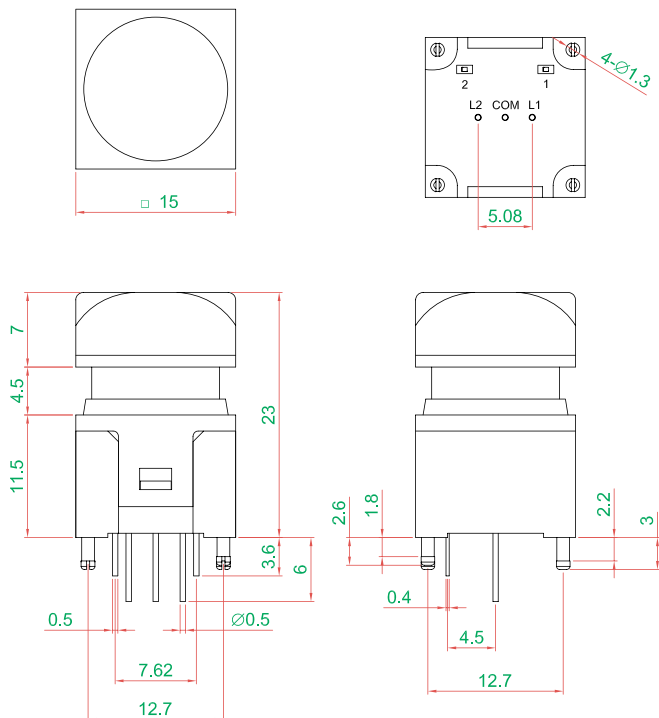
BOTTOM VIEW



PS011-N11TBB □ □

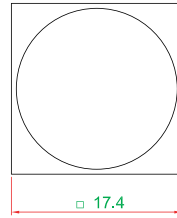


BOTTOM VIEW

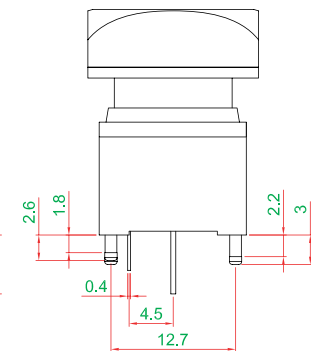
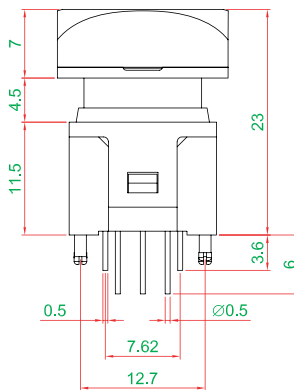
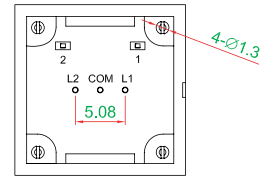


► DIMENSION & FRAME TYPE

PS011-N11TBC □ □

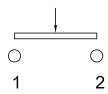


BOTTOM VIEW

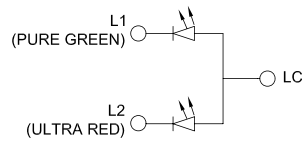


► SCHEMATIC

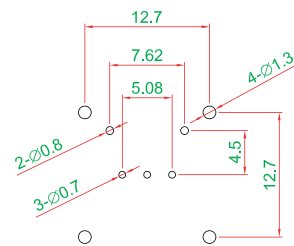
SWITCH



LED



► P.C.B LAYOUT



► MATERIAL

- COVER - PC
- ACTUATOR - PA
- BASE FRAME - PA + GF
- TERMINAL - BRASS SILVER PLATING
- MOVING CONTACT - PHOSPHOR BRONZE GOLD PLATING

► UNIT WEIGHT

- PS011-N11TAA □ □ : 3.3 ± 0.05 g / pcs
- PS011-N11TBB □ □ : 3.6 ± 0.05 g / pcs
- PS011-N11TBC □ □ : 4.5 ± 0.05 g / pcs