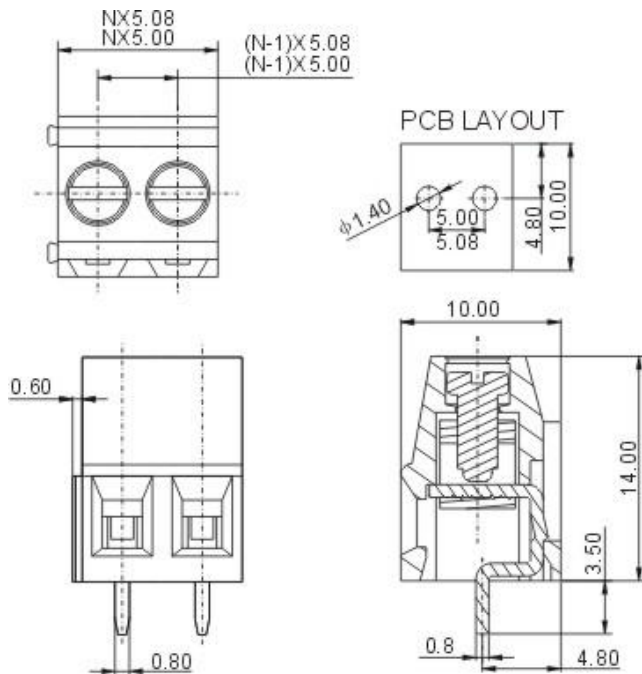


**DG500-5.0**  
**DG500-5.08**



### APPROVAL Electrical

Standard

Rated voltage

Rated current

Wire range

Withstanding voltage



UL

IEC

300V

250V

10A

18A

24-12AWG

2.5mm<sup>2</sup>

AC2000V/1Min

### Menchanical

Torque

Ambient temperature

Strip length

### Dimensions

pitch

Poles

0.4Nm(3.5Lb-In)

-40°C~+105°C

7mm

5.0mm(.197") 5.08mm(.200")

2P,3P-24P

### Material

Housing

Screws

Pin header

Cage

PA66,UL94V-0

M2.5,Steel, Cr<sup>3+</sup>Znplated

Brass,Tin plated

Brass,Ni plated

### HOW TO ORDER :



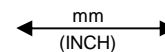
Series number

No.of pole

1	Single pitch
2	Double pitch

### Color

1	Grey	4	Green	7	Trans Parent
2	Blue	5	Orange	8	Yellow
3	Black	6	Red	9	White



DEGSON ELECTRONICS CO., LTD.

NAME

**DG500-5.0 DG500-5.08**