

1

2

3

4

5

6

7

8

A

B

C

D

E

F

G

H

A

B

C

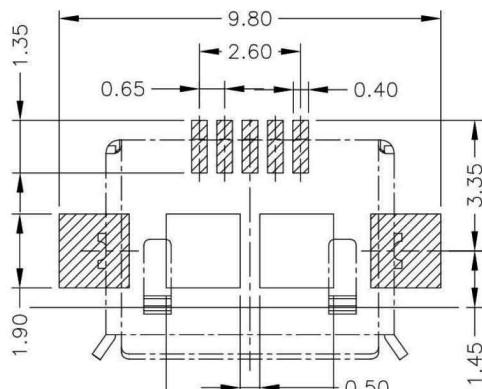
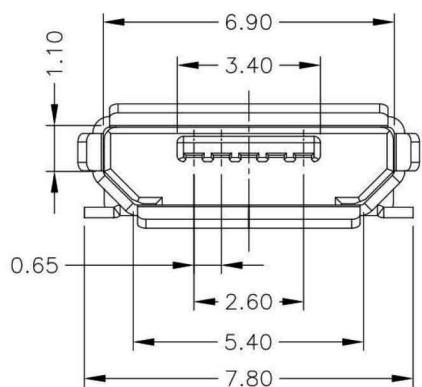
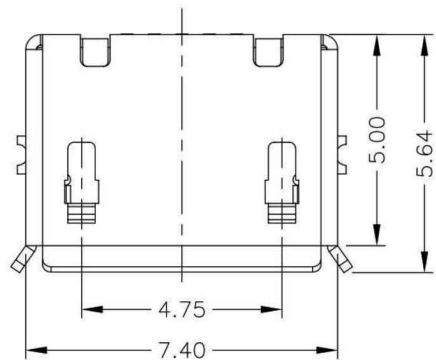
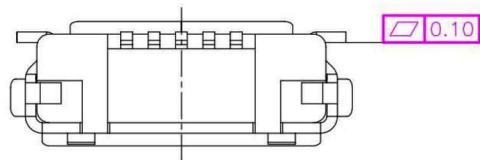
D

E

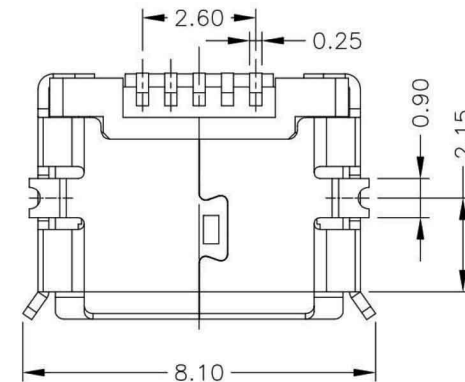
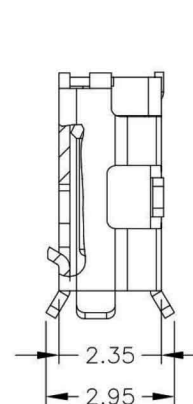
F

G

H



P.C.B LAYOUT
TOP VIEW ±0.05



MATERIALS

HOUSING: HI-TEMP. PLASTIC (UL 94V-0)
SHELL: COPPER ALLOY, TIN PLATING
TERMINAL: COPPER ALLOY, GOLD PLATED.

SPECIFICATION

CURRENT RATING: 1.8 AMP MAX (ONLY PIN 1, 5), OTHER 1 AMP MAX
DIELECTRIC WITHSTANDING: 100V AC FOR ONE MINUTE
CONTACT RESISTANCE: 50m OHMS MAX
INSULATION RESISTANCE: 100M OHMS MIN AT DC 500V
OPERATION TEMPERATURE: -25°C~+105°C

RoHS Compliant		HSM 玄茂科技股份有限公司 HSUAN MAO TECHNOLOGY CO., LTD.	
APPD. 核准	BETTY		TOLERANCE 容許公差
DWG. 製圖	BETTY		.0 ± 0.30 .00 ± 0.25 ANG. ± 2°
DATE 制表日	2010/12/06	UNIT 單位	SIZE. 紙張尺寸
		PAGE 張數	REV. 版次
		1 OF 1	A
		PART NAME 品名	
		Micro USB B TYPE FEMALE 5P SMT TYPE(P.C.B TYPE) WITHOUT LOCATING PEG MATTE TIN SHELL BLACK COLOR GOLD FLASH PLATING HOSUING MATERIAL:LCP ROHS	
		PART NO. 料號	
		C8351-05BFDGNBFR	

1

2

3

4

5

6

7

8