

Feature -

- Small size
- LED illuminated ,
- Two color available
- Long life
- Right Angle terminal

Applications -

- Consumer Products
- Instrumentation
- Computer Products
- Communication Equipments



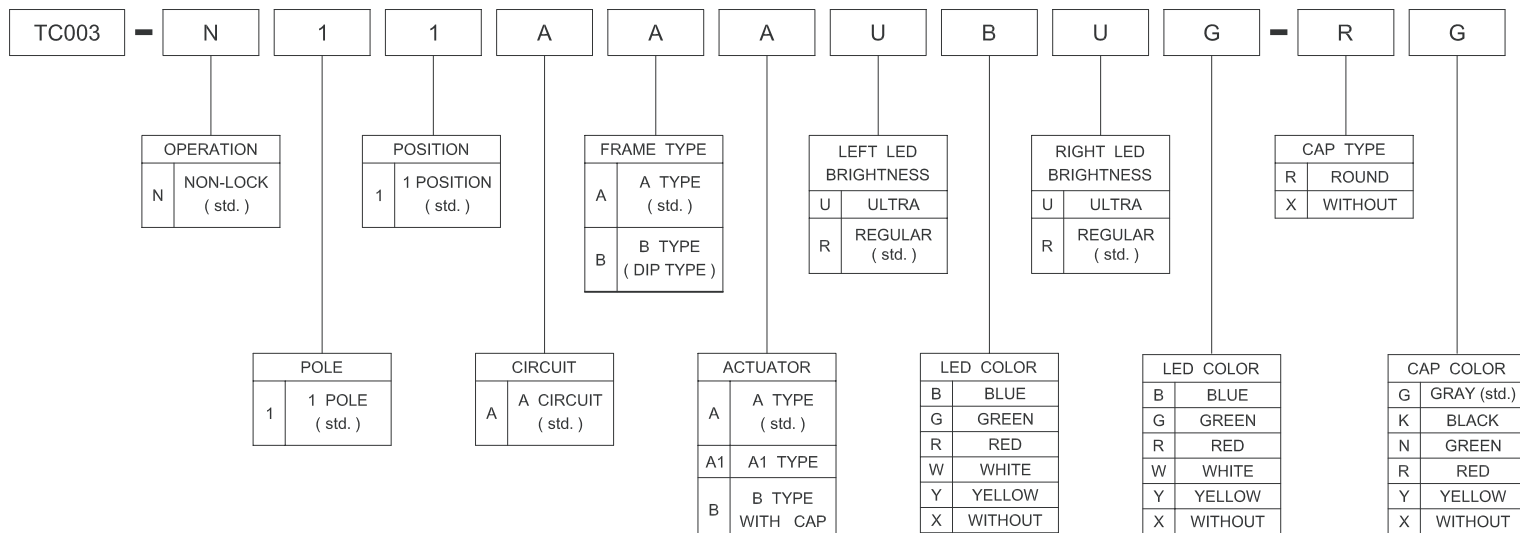
► SPECIFICATIONS

SWITCH SPECIFICATIONS	
POLE - POSITION	1P1T , Right Angle Push on Type , with or w/o LED are available
CONTACT RATING	12 V DC , 50 mA
CONTACT RESISTANCE	100 mΩ max . 1.5 V DC ; 100 mA , by Method of Voltage DROP
INSULATION RESISTANCE	100 MΩ min . 500 V DC
DIELECTRIC STRENGTH	Breakdown is not Allowable ; 500 V AC for 1 Minute
OPERATING FORCE	160 ± 50 gf
OPERATING LIFE	500,000 cycles
OPERATING TEMPERATURE RANGE	-20°C ~ 70°C
TOTAL TRAVEL	0.2 ± 0.1 mm

LED SPECIFICATIONS						
ATTENTION LEDs are Electrostatic Sensitive devices	Unit	Value / LED Color				
		Blue	Green	Red	White	Yellow
FORWARD CURRENT	If	mA	30	30	30	30
REVERSE VOLTAGE	Vr	V	5.0	5.0	5.0	5.0
REVERSE CURRENT	Ir	μA	10	10	10	10
FORWARD VOLTAGE@20mA	Vf	V	3.5-4.0	2.0-2.5	2.0-2.5	3.3-3.8
LUMINOUS INTENSITY@20mA	Iv	mcd	230	120	50	145

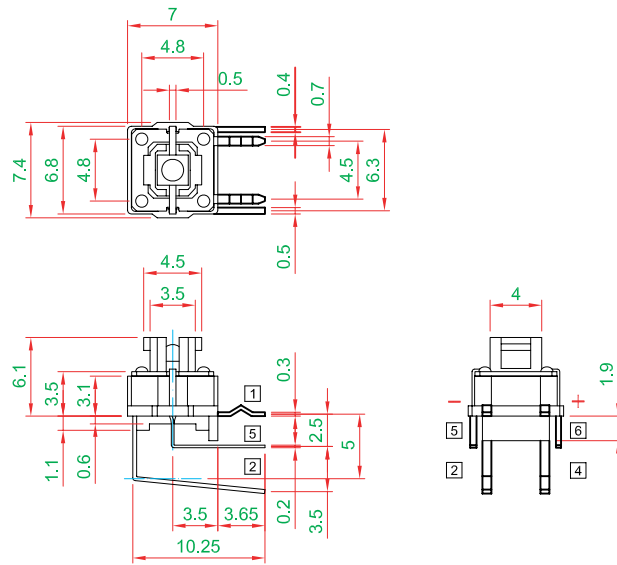
■ Physical and electrical information of LED will be provided upon customer's request on switches .

► HOW TO ORDER

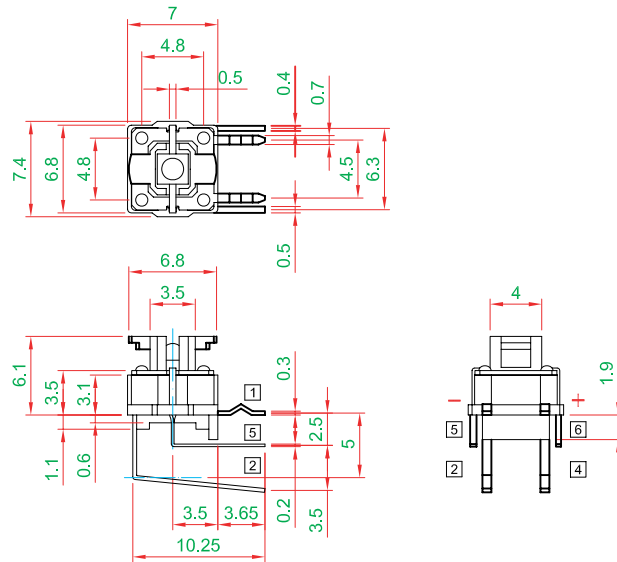


► DIMENSION

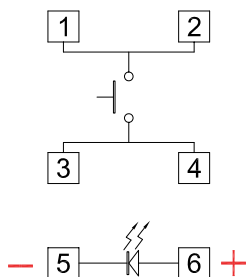
TC003-N11AAA □□□□



TC003-N11AAA1 □□□□

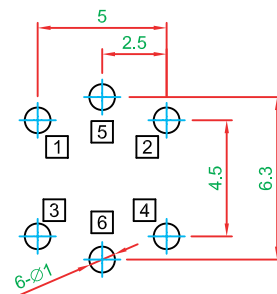


► SCHEMATIC

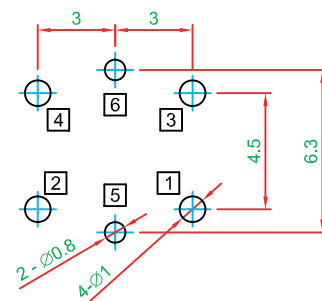


► P.C.B LAYOUT

RIGHT ANGLE TYPE

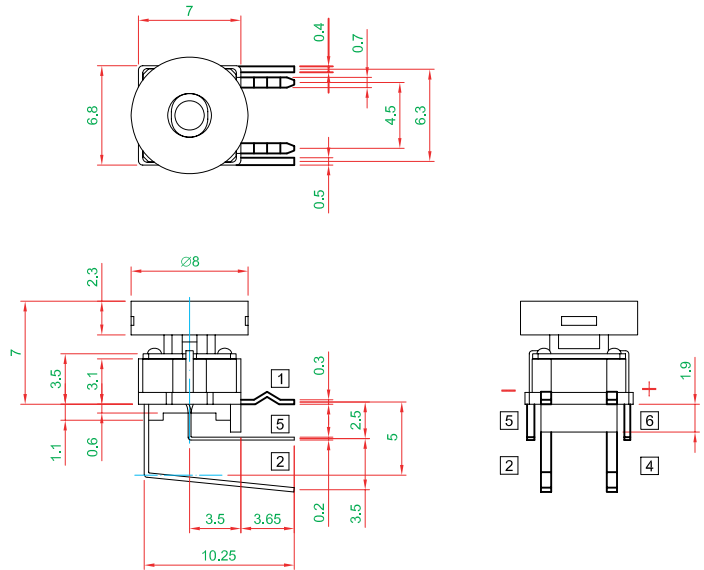


DIP TYPE

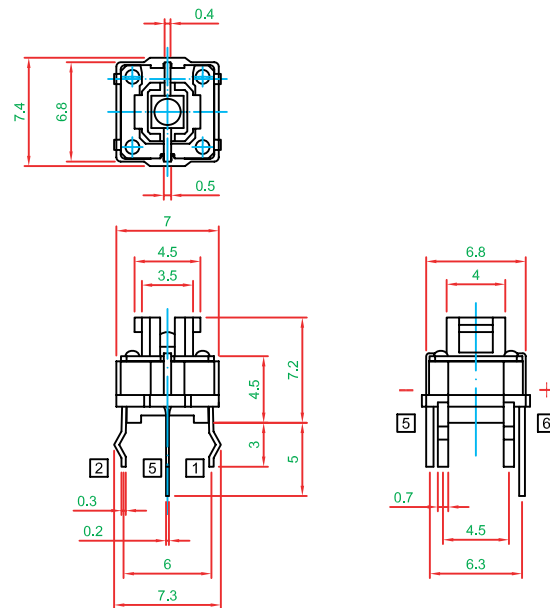


► DIMENSION

TC003-N11AAB - R



TC003-N11ABA



► MATERIAL

- COVER - POM
- ACTUATOR - PBT + GF , PA + GF
- BASE FRAME - PA + GF
- BRASS TERMINAL - SILVER PLATING

► UNIT WEIGHT

- TC003-N11AAA : 0.35 ± 0.05 g / pcs
- TC003-N11AAA1 : 0.35 ± 0.05 g / pcs
- TC003-N11AAB - : 0.47 ± 0.05 g / pcs
- TC003-N11ABA : 0.32 ± 0.05 g / pcs



Std. Part number	Housing	Cap	LED 1	LED 2	Std. packing (PCS)	N.W. (kg/Ctn)	G.W. (kg/Ctn)	MEAS. (cm ³ /CTN)
TC003-N11AAAPGXX	none	none	pure green	none	3000	2.40	2.90	36.3*23.3*29
TC003-N11AAAUBXX	none	none	blue	none	3000	2.40	2.90	36.3*23.3*29
TC003-N11AAAUWXX	none	none	white	none	3000	2.40	2.90	36.3*23.3*29
TC003-N11AAAUGXX	none	none	green	none	3000	2.40	2.90	36.3*23.3*29
TC003-N11AAAURXX	none	none	red	none	3000	2.40	2.90	36.3*23.3*29
TC003-N11AAAUYXX	none	none	yellow	none	3000	2.40	2.90	36.3*23.3*29
TC003-N11AAAURUG	none	none	red	green	3000	2.40	2.90	36.3*23.3*29
TC003-N11AAAURUY	none	none	red	yellow	3000	2.40	2.90	36.3*23.3*29
TC003-N11AAAUGUY	none	none	green	yellow	3000	2.40	2.90	36.3*23.3*29



Std. Part number	Housing	Cap	LED 1	LED 2	Std. packing (PCS)	N.W. (kg/Ctn)	G.W. (kg/Ctn)	MEAS. (cm ³ /CTN)
TC003-N11AABPGXX-RK	none	black	pure green	none	3000	2.40	2.90	36.3*23.3*29
TC003-N11AABUBXX-RK	none	black	blue	none	3000	2.40	2.90	36.3*23.3*29
TC003-N11AABUWXX-RK	none	black	white	none	3000	2.40	2.90	36.3*23.3*29
TC003-N11AABUGXX-RK	none	black	green	none	3000	2.40	2.90	36.3*23.3*29
TC003-N11AABURXX-RK	none	black	red	none	3000	2.40	2.90	36.3*23.3*29
TC003-N11AABUYXX-RK	none	black	yellow	none	3000	2.40	2.90	36.3*23.3*29
TC003-N11AABURUG-RK	none	black	red	green	3000	2.40	2.90	36.3*23.3*29
TC003-N11AABURUY-RK	none	black	red	yellow	3000	2.40	2.90	36.3*23.3*29
TC003-N11AABUGUY-RK	none	black	green	yellow	3000	2.40	2.90	36.3*23.3*29



Std. Part number	Housing (square)	Cap (square)	LED 1	LED 2	Std. packing (PCS)	N.W. (kg/Ctn)	G.W. (kg/Ctn)	MEAS. (cm ³ /CTN)
TC003-N11ABAPGXX	none	none	pure green	none	3400	2.50	5.00	44.2*36.2*28.8
TC003-N11ABAUBXX	none	none	blue	none	3400	2.50	5.00	44.2*36.2*28.8
TC003-N11ABAUWXX	none	none	white	none	3400	2.50	5.00	44.2*36.2*28.8
TC003-N11ABAUGXX	none	none	green	none	3400	2.50	5.00	44.2*36.2*28.8
TC003-N11ABAURXX	none	none	red	none	3400	2.50	5.00	44.2*36.2*28.8
TC003-N11ABAUYXX	none	none	yellow	none	3400	2.50	5.00	44.2*36.2*28.8
TC003-N11ABAURUG	none	none	red	green	3400	2.50	5.00	44.2*36.2*28.8
TC003-N11ABAURUY	none	none	red	yellow	3400	2.50	5.00	44.2*36.2*28.8
TC003-N11ABAUGUY	none	none	green	yellow	3400	2.50	5.00	44.2*36.2*28.8