

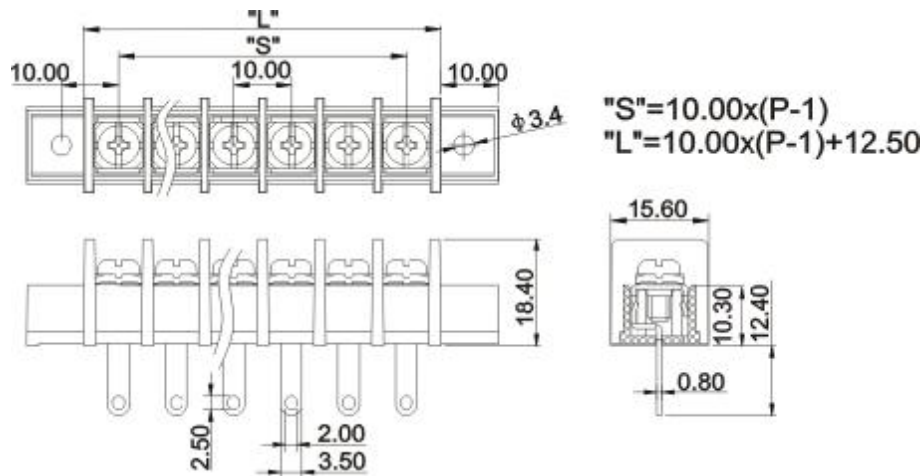


# DEGSON ELECTRONICS CO., LTD.

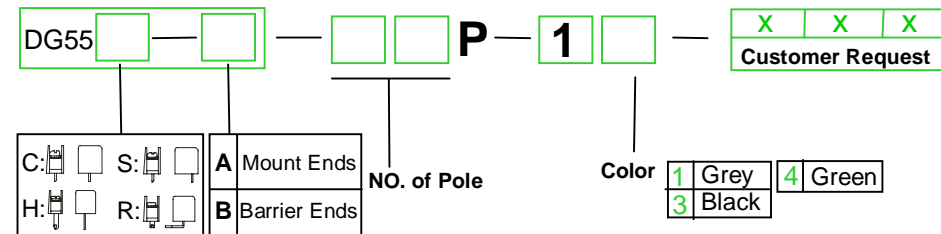
## Product Specification



|                       |                       |                    |
|-----------------------|-----------------------|--------------------|
| <b>Approval</b>       | UL US                 | CE                 |
| <b>Electrical</b>     | <b>UL</b>             | <b>IEC</b>         |
| Standard              | 300V                  | 750V               |
| Rated voltage         | 20A                   | 32A                |
| Rated current         | 22-12AWG              | 4.0mm <sup>2</sup> |
| Wire range            | AC2000V/1Min          |                    |
| With standing voltage | 500M $\Omega$ /DC500V |                    |
| Insulation Resistance |                       |                    |
| <b>Mechanical</b>     |                       |                    |
| Max. Torque Value     | 1.2N.m 10.6Lb.in      |                    |
| Ambient temperature   | -40°C~+105°C          |                    |
| <b>Dimensions</b>     |                       |                    |
| Pitch                 | 10.0mm(.394")         |                    |
| Poles                 | 2P-24P                |                    |
| <b>Material</b>       |                       |                    |
| Housing               | PA66,UL94V-0          |                    |
| Terminal              | Brass,0.8t,Tin Plated |                    |
| Screws                | Steel,M4 Ni Plated    |                    |



### HOW TO ORDER :



|              |        |        |        |        |        |        |        |        |        |        |        |        |        |        |
|--------------|--------|--------|--------|--------|--------|--------|--------|--------|--------|--------|--------|--------|--------|--------|
| <b>Poles</b> | 2      | 3      | 4      | 5      | 6      | 7      | 8      | 9      | 10     | 11     | 12     | 13     | 14     | 15     |
| <b>L(mm)</b> | 22.50  | 32.50  | 42.50  | 52.50  | 62.50  | 72.50  | 82.50  | 92.50  | 102.50 | 112.50 | 122.50 | 132.50 | 142.50 | 152.50 |
| <b>S(mm)</b> | 10.00  | 20.00  | 30.00  | 40.00  | 50.00  | 60.00  | 70.00  | 80.00  | 90.00  | 100.00 | 110.00 | 120.00 | 130.00 | 140.00 |
| <b>Poles</b> | 16     | 17     | 18     | 19     | 20     | 21     | 22     | 23     | 24     | 25     | 26     | 27     | 28     |        |
| <b>L(mm)</b> | 162.50 | 172.50 | 182.50 | 192.50 | 202.50 | 212.50 | 222.50 | 232.50 | 242.50 | 252.50 | 262.50 |        |        |        |
| <b>S(mm)</b> | 15.00  | 16.00  | 17.00  | 18.00  | 19.00  | 20.00  | 21.00  | 22.00  | 23.00  | 24.00  | 25.00  |        |        |        |

|  |                                     |
|--|-------------------------------------|
|  | <b>DEGSON ELECTRONICS CO., LTD.</b> |
|  | <b>NAME</b> <b>DG55H-A</b>          |