

Connector

USB Series

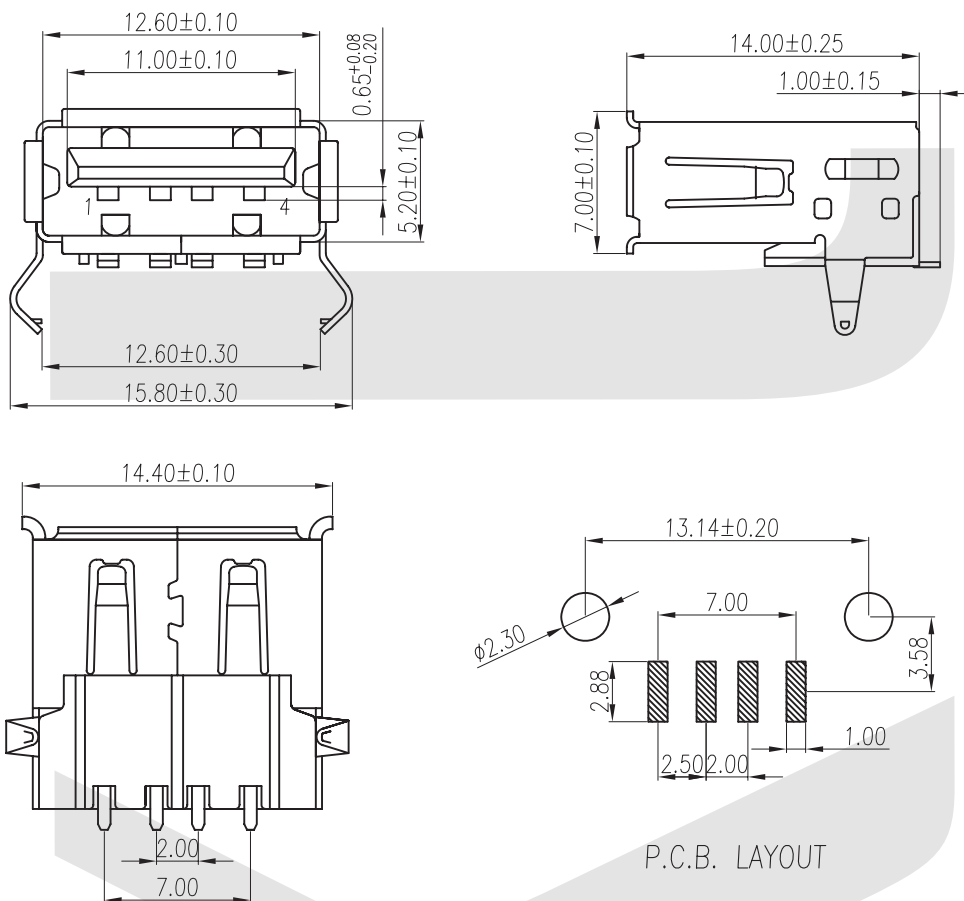
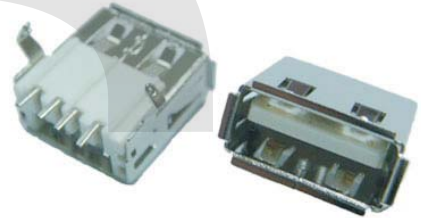
KLS1-181C USB-AF SMT Type

Material:

Housing: 30% Glass filled PBT UL94V-0
Contacts: Brass
Pin Plated: Gold 3u" over 50u" nickel

Electrical Characteristics:

Current Rating: 1 AMP
Insulator Resistance: 1000MΩ min. at 500 VDC
Dielectric Withstanding Voltage: 500 VAC / Minute
Contact Resistance: 30mΩ max.
Temperature: -55°C ~+105°C



ORDER INFORMATION

Product NO.: KLS1 - 181C - B

Pos. NO.
USB-AF SMT Type

Color: W=White B=Black