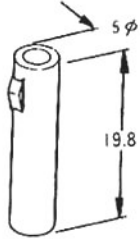
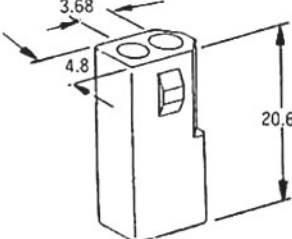
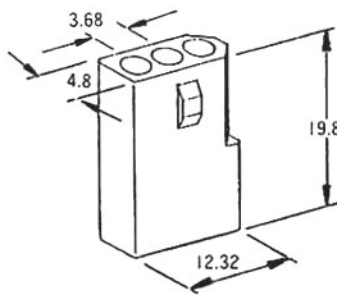
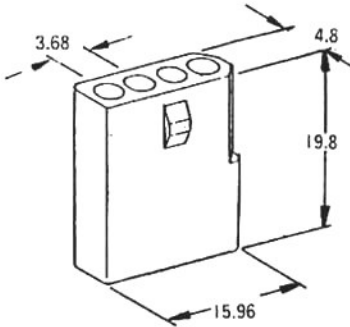
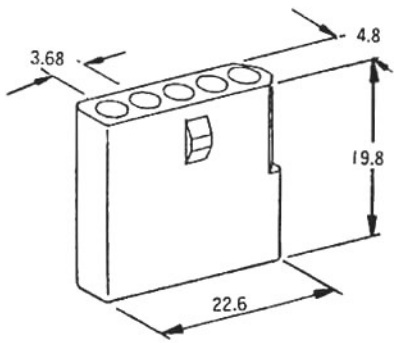
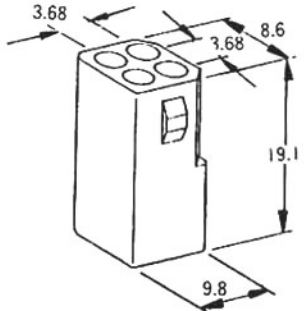
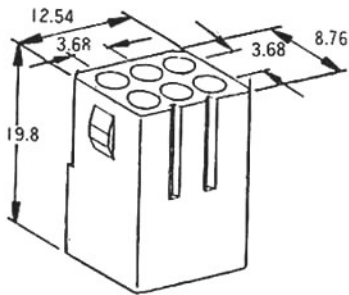
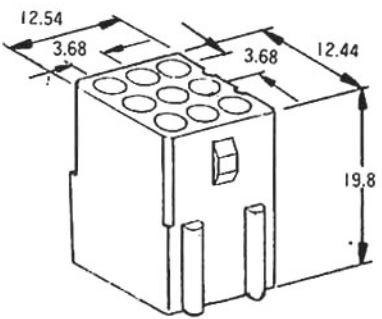
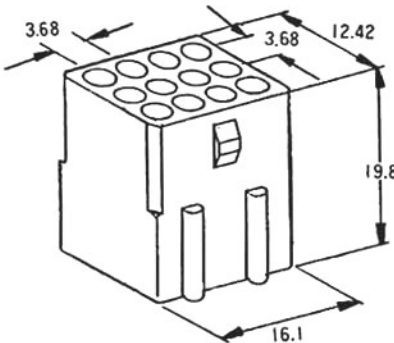
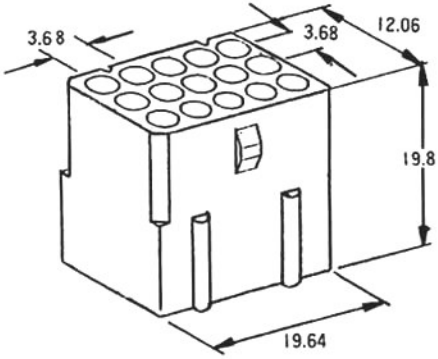


	1	2	3	4	5	6	7	8		
A										
B										
C	H1158-01PSNW00	H1158-02PSNW00	H1158-03PSNW00	H1158-04PSNW00	H1158-05PSNW00					
D										
E										
F										
G	<b>玄茂科技股份有限公司</b> <b>HSUAN MAO TECHNOLOGY CO., LTD.</b>			UNIT		SCALE		PART NAME		
H	制表日: 2003/08/25			MM		1: 1		3.68mm 1.58φ HOUSING (MALE) Without Ear		
	DRAWING.		APPROVED		APPD.	CKD.	TOLERANCE		PART NO.	REV.
	Jane						± 0.3		H1158-XXPXNW00	A
	1	2	3	4	5	6	7	8		