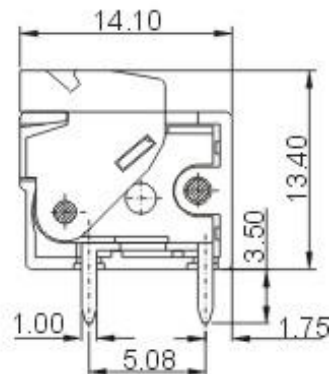
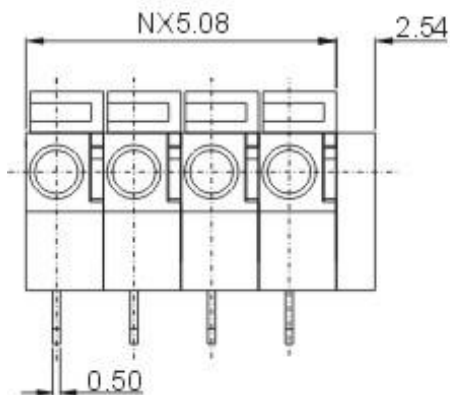
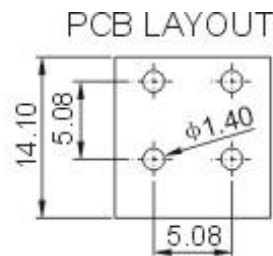
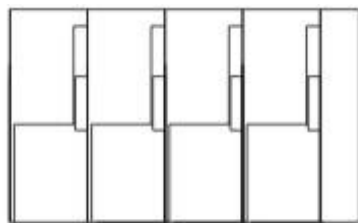


<b>Approval</b>	CE	
<b>Electrical</b>		
<b>Standard</b>	UL	IEC
Rated voltage	300V	250V
Rated current	10A	15A
Wire range	22-14AWG	1.5mm <sup>2</sup>
Withstanding voltage	AC2000V/1Min	
<b>Mechanical</b>		
Ambient temperature	-40°C ~ +105 °C	
Strip length	10mm	
<b>Dimensions</b>		
Pitch	5.08mm(.200" )	
Poles	1P-XXP	
<b>Material</b>		
Housing	PA66,UL94V-0	
Pin header	Brass,Tin plated	
Wire guard	Stainless steel	



### HOW TO ORDER :



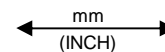
Series number

No. of pole

1	Single pitch
2	Double pitch

#### Color

1	Grey	4	Green	7	Trans Parent
2	Blue	5	Orange	8	Yellow
3	Black	6	Red	9	White



DEGSON ELECTRONICS CO., LTD.

NAME

**DG142R-5.08**