


Feature -

- Small size
- LED illuminated ,
- Two color available
- Long life

Applications -

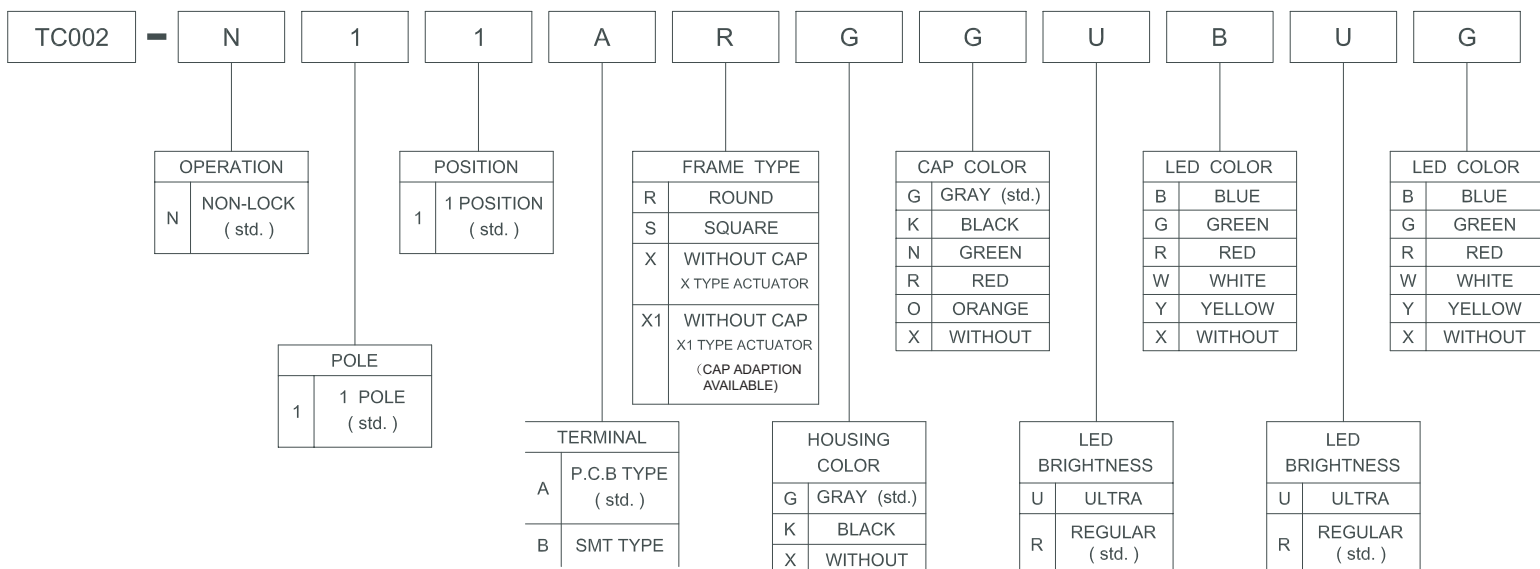
- Consumer Products
- Instrumentation
- Computer Products
- Communication Equipments

SPECIFICATIONS

SWITCH SPECIFICATIONS	
POLE - POSITION	1P1T , with LED
CONTACT RATING	12 V DC , 50 mA
CONTACT RESISTANCE	100 mΩ max . 1.5 V DC ; 100 mA , by Method of Voltage DROP
INSULATION RESISTANCE	100 MΩ min . 500 V DC
DIELECTRIC STRENGTH	Breakdown is not Allowable ; 500 V AC for 1 Minute
OPERATING FORCE	180 ± 50 gf
OPERATING LIFE	500,000 cycles
OPERATING TEMPERATURE RANGE	-20°C ~ 70°C
TOTAL TRAVEL	0.2 ± 0.1 mm

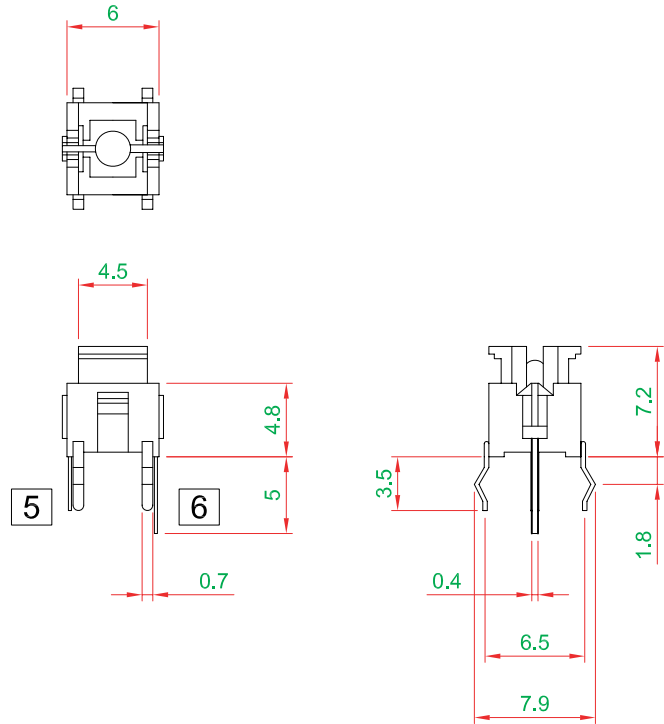
LED SPECIFICATIONS		Value / LED Color					
ATTENTION	Unit	Blue	Green	Red	White	Yellow	
		LEDs are Electrostatic Sensitive devices					
FORWARD CURRENT	If	mA	30	30	15	30	20
REVERSE VOLTAGE	Vr	V	5.0	5.0	5.0	5.0	5.0
REVERSE CURRENT	Ir	μA	10	10	10	10	10
FORWARD VOLTAGE@20mA	Vf	V	3.5-4.0	1.7-2.8	1.7-2.8	3.3-3.8	1.7-2.8
LUMINOUS INTENSITY@10mA	Iv	mcd	@20mA 180-245	24-40	4.0-7.0	@20mA 145	18-30

Physical and electrical information of LED will be provided upon customer's request on switches .

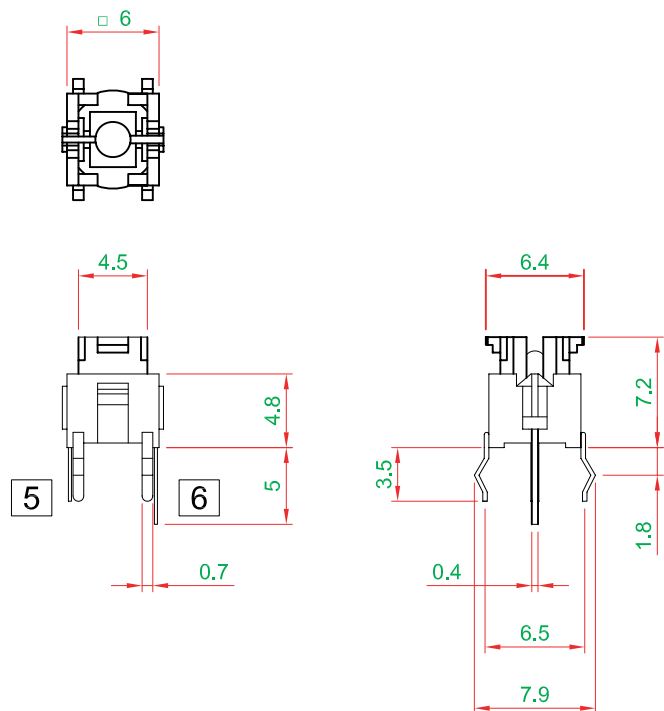
HOW TO ORDER


► **DIMENSION**

TC002-N11AXXX

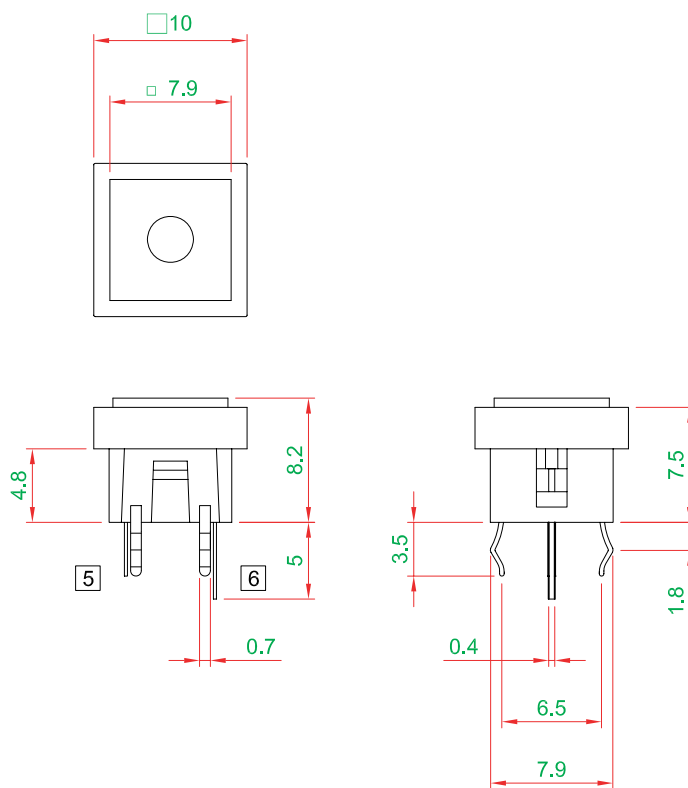


TC002-N11AX1XX

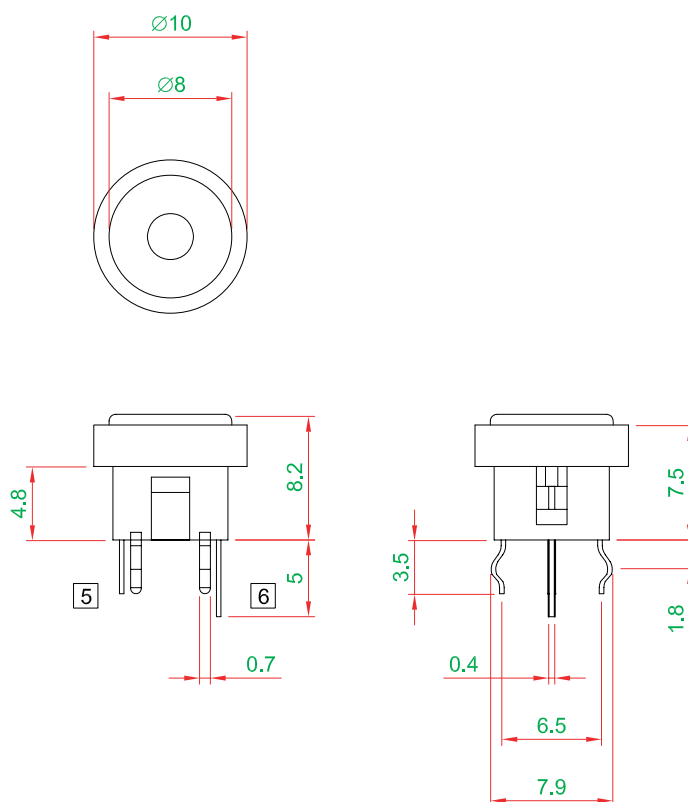


► **DIMENSION**

TC002-N11ASGG □ □ □ □

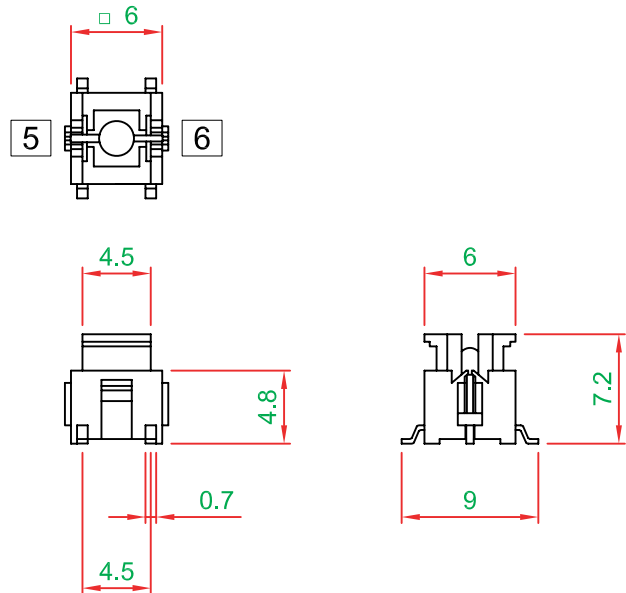


TC002-N11ARGG □ □ □ □

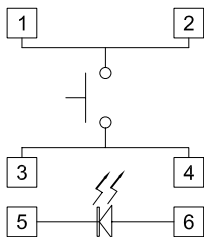


► DIMENSION

TC002-N11BXXX □ □ □ □

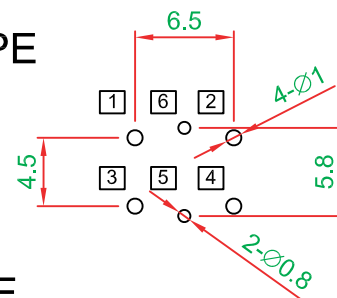


► CIRCUIT

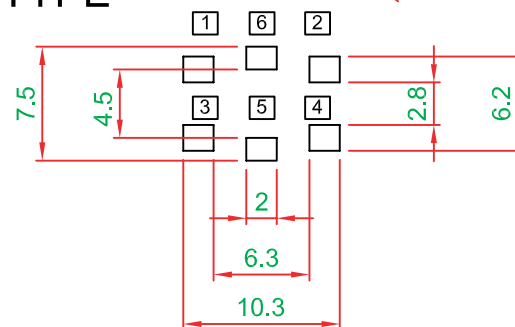


► P.C.B LAYOUT

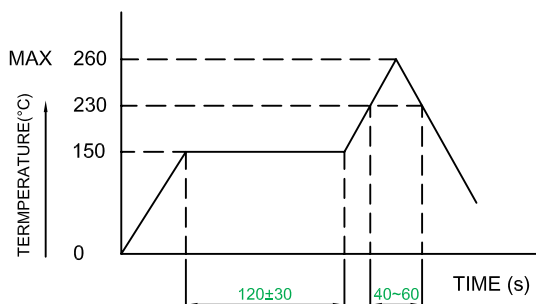
P.C.B TYPE



SMT TYPE



► REFLOW SOLDERING



► MATERIAL

- COVER - PA
- ACTUATOR - PBT + GF (SMD TYPE : PA)
- BASE FRAME - PA + GF (SMD TYPE : PA)
- TERMINAL - BRASS SILVER PLATING

► UNIT WEIGHT

- TC002-N11ASGG □ □ □ □ : 0.56 ± 0.05 g / pcs
- TC002-N11ARGG □ □ □ □ : 0.5 ± 0.05 g / pcs
- TC002-N11AXXX □ □ □ □ : 0.3 ± 0.05 g / pcs
- TC002-N11BXXX □ □ □ □ : 0.32 ± 0.05 g / pcs



Std. Part number	Housing	Cap	LED 1	LED 2	Std. packing (PCS)	N.W. (kg/Ctn)	G.W. (kg/Ctn)	MEAS. (cm ³ /CTN)
TC002-N11AXXPXGX	none	none	pure green	none	3400	2.50	5.00	44.2*36.2*28.8
TC002-N11AXXUBXX	none	none	blue	none	3400	2.50	5.00	44.2*36.2*28.8
TC002-N11AXXUWXX	none	none	white	none	3400	2.50	5.00	44.2*36.2*28.8
TC002-N11AXXUGXX	none	none	green	none	3400	2.50	5.00	44.2*36.2*28.8
TC002-N11AXXURXX	none	none	red	none	3400	2.50	5.00	44.2*36.2*28.8
TC002-N11AXXUYXX	none	none	yellow	none	3400	2.50	5.00	44.2*36.2*28.8
TC002-N11AXXURUG	none	none	red	green	3400	2.50	5.00	44.2*36.2*28.8
TC002-N11AXXURUY	none	none	red	yellow	3400	2.50	5.00	44.2*36.2*28.8
TC002-N11AXXUGUY	none	none	green	yellow	3400	2.50	5.00	44.2*36.2*28.8



Std. Part number	Housing	Cap	LED 1	LED 2	Std. packing (PCS)	N.W. (kg/Ctn)	G.W. (kg/Ctn)	MEAS. (cm ³ /CTN)
TC002-N11AX1XXPGXX	none	none	pure green	none	3400	2.50	5.00	44.2*36.2*28.8
TC002-N11AX1XXUBXX	none	none	blue	none	3400	2.50	5.00	44.2*36.2*28.8
TC002-N11AX1XXUWXX	none	none	white	none	3400	2.50	5.00	44.2*36.2*28.8
TC002-N11AX1XXUGXX	none	none	green	none	3400	2.50	5.00	44.2*36.2*28.8
TC002-N11AX1XXURXX	none	none	red	none	3400	2.50	5.00	44.2*36.2*28.8
TC002-N11AX1XXUYXX	none	none	yellow	none	3400	2.50	5.00	44.2*36.2*28.8
TC002-N11AX1XXURUG	none	none	red	green	3400	2.50	5.00	44.2*36.2*28.8
TC002-N11AX1XXURUY	none	none	red	yellow	3400	2.50	5.00	44.2*36.2*28.8
TC002-N11AX1XXUGUY	none	none	green	yellow	3400	2.50	5.00	44.2*36.2*28.8



Std. Part number	Housing (square)	Cap (square)	LED 1	LED 2	Std. packing (PCS)	N.W. (kg/Ctn)	G.W. (kg/Ctn)	MEAS. (cm ³ /CTN)
TC002-N11ASGGPGXX	gray	gray	pure green	none	3400	2.50	5.00	44.2*36.2*28.8
TC002-N11ASGGUBXX	gray	gray	blue	none	3400	2.50	5.00	44.2*36.2*28.8
TC002-N11ASGGUWXX	gray	gray	white	none	3400	2.50	5.00	44.2*36.2*28.8
TC002-N11ASGGUGXX	gray	gray	green	none	3400	2.50	5.00	44.2*36.2*28.8
TC002-N11ASGGURXX	gray	gray	red	none	3400	2.50	5.00	44.2*36.2*28.8
TC002-N11ASGGUYXX	gray	gray	yellow	none	3400	2.50	5.00	44.2*36.2*28.8
TC002-N11ASGGURUG	gray	gray	red	green	3400	2.50	5.00	44.2*36.2*28.8
TC002-N11ASGGURUY	gray	gray	red	yellow	3400	2.50	5.00	44.2*36.2*28.8
TC002-N11ASGGUGUY	gray	gray	green	yellow	3400	2.50	5.00	44.2*36.2*28.8



Std. Part number	Housing (round)	Cap (round)	LED 1	LED 2	Std. packing (PCS)	N.W. (kg/Ctn)	G.W. (kg/Ctn)	MEAS. (cm ³ /CTN)
TC002-N11ARKKPGXX	black	black	pure green	none	3400	2.50	5.00	44.2*36.2*28.8
TC002-N11ARKKUBXX	black	black	blue	none	3400	2.50	5.00	44.2*36.2*28.8
TC002-N11ARKKUWXX	black	black	white	none	3400	2.50	5.00	44.2*36.2*28.8
TC002-N11ARKKUGXX	black	black	green	none	3400	2.50	5.00	44.2*36.2*28.8
TC002-N11ARKKURXX	black	black	red	none	3400	2.50	5.00	44.2*36.2*28.8
TC002-N11ARKKUYXX	black	black	yellow	none	3400	2.50	5.00	44.2*36.2*28.8
TC002-N11ARKKURUG	black	black	red	green	3400	2.50	5.00	44.2*36.2*28.8
TC002-N11ARKKURUY	black	black	red	yellow	3400	2.50	5.00	44.2*36.2*28.8
TC002-N11ARKKUGUY	black	black	green	yellow	3400	2.50	5.00	44.2*36.2*28.8



Std. Part number	Housing	Cap	LED 1	LED 2	Std. packing (PCS)	N.W. (kg/Ctn)	G.W. (kg/Ctn)	MEAS. (cm³/CTN)
TC002-N11ASXGPGXX	none	gray	pure green	none	3400	2.50	5.00	44.2*36.2*28.8
TC002-N11ASXGUBXX	none	gray	blue	none	3400	2.50	5.00	44.2*36.2*28.8
TC002-N11ASXGUWXX	none	gray	white	none	3400	2.50	5.00	44.2*36.2*28.8
TC002-N11ASXGUGXX	none	gray	green	none	3400	2.50	5.00	44.2*36.2*28.8
TC002-N11ASXGURXX	none	gray	red	none	3400	2.50	5.00	44.2*36.2*28.8
TC002-N11ASXGUYXX	none	gray	yellow	none	3400	2.50	5.00	44.2*36.2*28.8
TC002-N11ASXGURUG	none	gray	red	green	3400	2.50	5.00	44.2*36.2*28.8
TC002-N11ASXGURUY	none	gray	red	yellow	3400	2.50	5.00	44.2*36.2*28.8
TC002-N11ASXGUGUY	none	gray	green	yellow	3400	2.50	5.00	44.2*36.2*28.8



Std. Part number	Housing	Cap	LED 1	LED 2	Std. packing (PCS)	N.W. (kg/Ctn)	G.W. (kg/Ctn)	MEAS. (cm³/CTN)
TC002-N11ARXNPGXX	none	green	pure green	none	3400	2.50	5.00	44.2*36.2*28.8
TC002-N11ARXNUBXX	none	green	blue	none	3400	2.50	5.00	44.2*36.2*28.8
TC002-N11ARXNUWXX	none	green	white	none	3400	2.50	5.00	44.2*36.2*28.8
TC002-N11ARXNUGXX	none	green	green	none	3400	2.50	5.00	44.2*36.2*28.8
TC002-N11ARXNURXX	none	green	red	none	3400	2.50	5.00	44.2*36.2*28.8
TC002-N11ARXNUYXX	none	green	yellow	none	3400	2.50	5.00	44.2*36.2*28.8
TC002-N11ARXNURUG	none	green	red	green	3400	2.50	5.00	44.2*36.2*28.8
TC002-N11ARXNURUY	none	green	red	yellow	3400	2.50	5.00	44.2*36.2*28.8
TC002-N11ARXNUGUY	none	green	green	yellow	3400	2.50	5.00	44.2*36.2*28.8



Std. Part number	Housing	Cap	LED 1	LED 2	Std. packing (PCS)	N.W. (kg/Ctn)	G.W. (kg/Ctn)	MEAS. (cm³/CTN)
TC002-N11ARXRPGX	none	red	pure green	none	3400	2.50	5.00	44.2*36.2*28.8
TC002-N11ARXRUBXX	none	red	blue	none	3400	2.50	5.00	44.2*36.2*28.8
TC002-N11ARXRUWXX	none	red	white	none	3400	2.50	5.00	44.2*36.2*28.8
TC002-N11ARXRUGXX	none	red	green	none	3400	2.50	5.00	44.2*36.2*28.8
TC002-N11ARXRURXX	none	red	red	none	3400	2.50	5.00	44.2*36.2*28.8
TC002-N11ARXRUYXX	none	red	yellow	none	3400	2.50	5.00	44.2*36.2*28.8
TC002-N11ARXRURUG	none	red	red	green	3400	2.50	5.00	44.2*36.2*28.8
TC002-N11ARXRURUY	none	red	red	yellow	3400	2.50	5.00	44.2*36.2*28.8
TC002-N11ARXRUGUY	none	red	green	yellow	3400	2.50	5.00	44.2*36.2*28.8