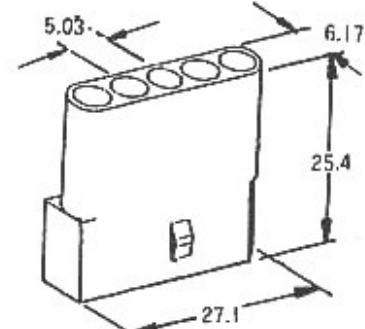
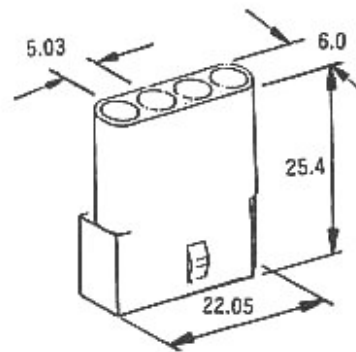
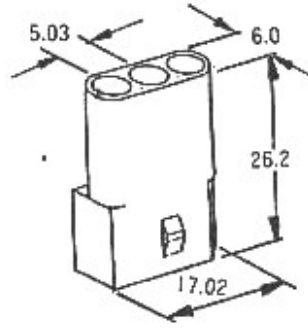
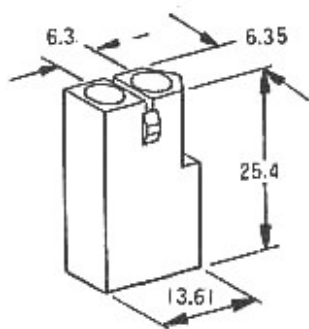


1 2 3 4 5 6 7 8

A



A

B

B

C

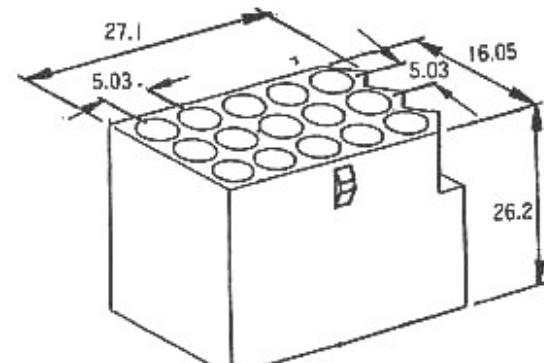
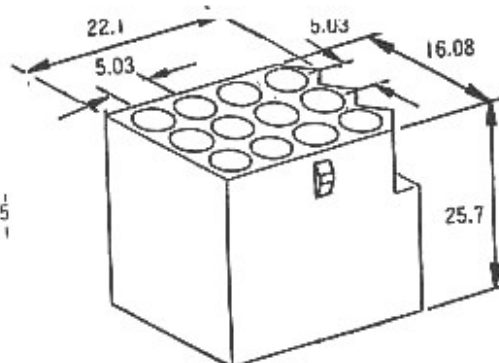
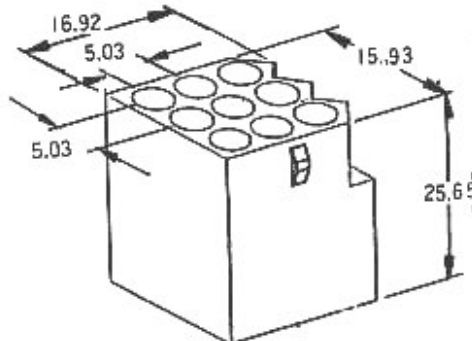
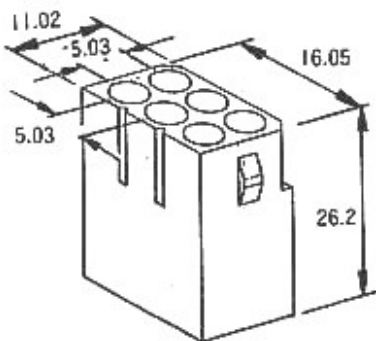
C

SPECIFICATIONS

Current Rating: 15A, AC, DC
 Voltage Rating: 300V AC, DC
 Temperature Range: -25° C~+105° C
 Contact Resistance: 10m ohms MAX.
 Withstanding Voltage: 1500V AC/Minute

D

D



E

E

F

F

G

G

玄茂科技股份有限公司
HSUAN MAO TECHNOLOGY CO., LTD.

UNIT

SCALE

PART NAME

MM

2:1

6.3mm 2.36 φ HOUSING
 (W/O EAR & W/O LOCKING RIB)

H

H

制表日: 2002/07/18

DRAWING.

APPROVED

APPD.

CKD.

TOLERANCE

PART NO.

REV.

Jane

± 0.2

H2130-XXPXNW00

A

1

2

3

4

5

6

7

8