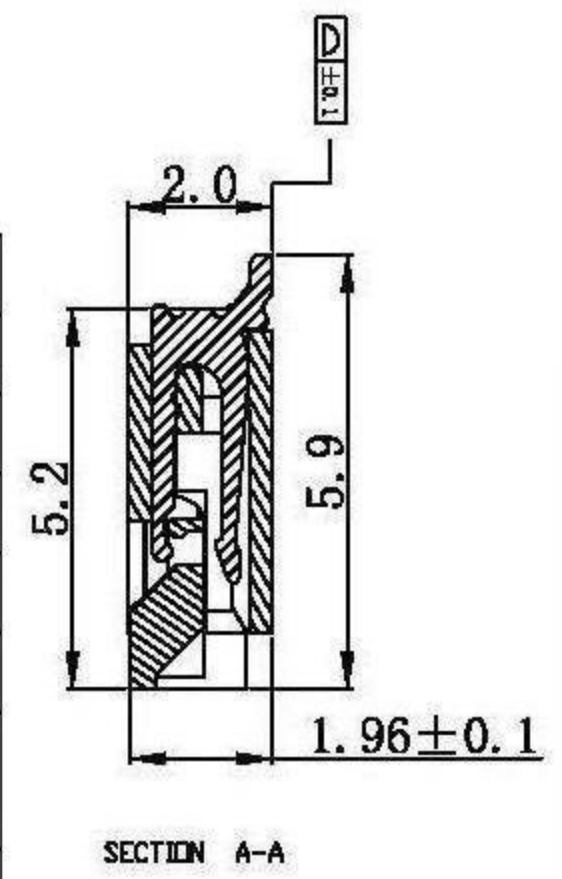
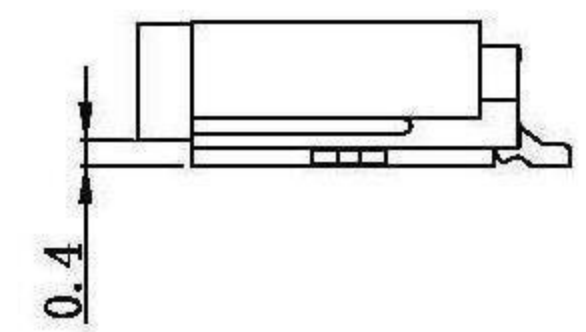
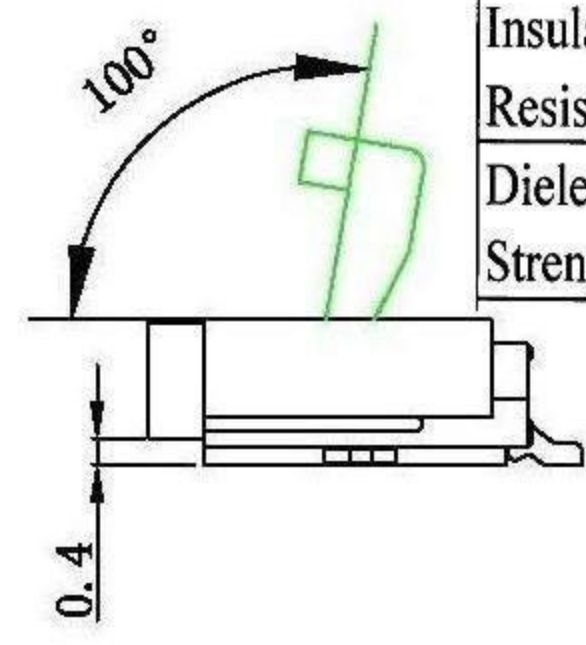
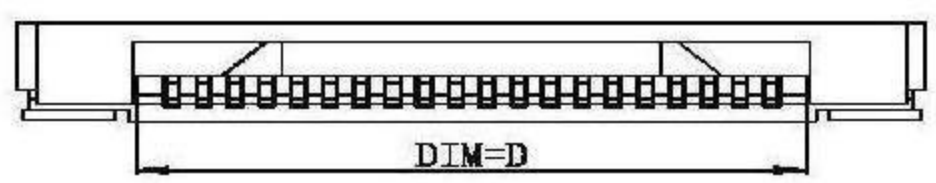
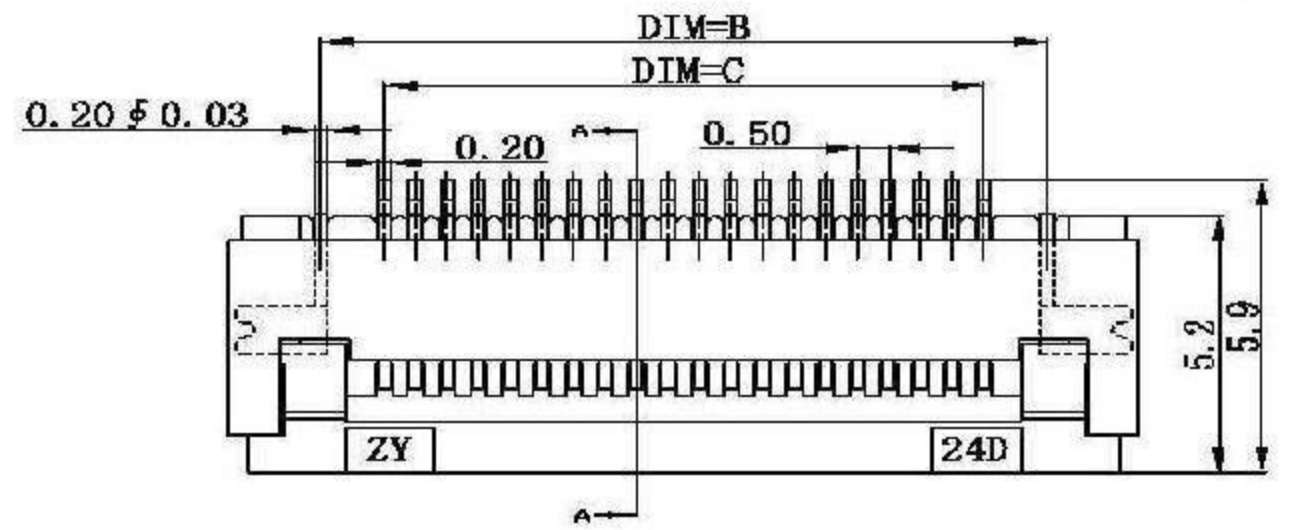
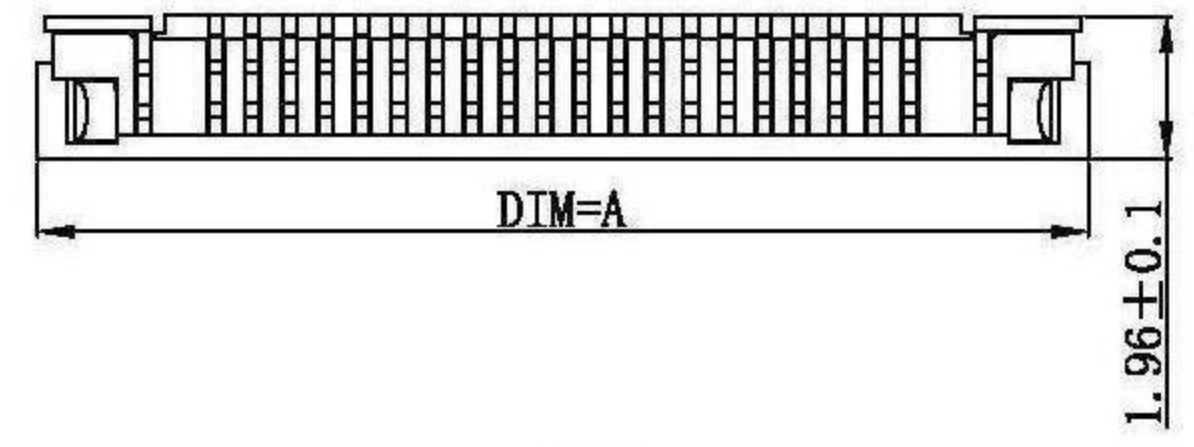
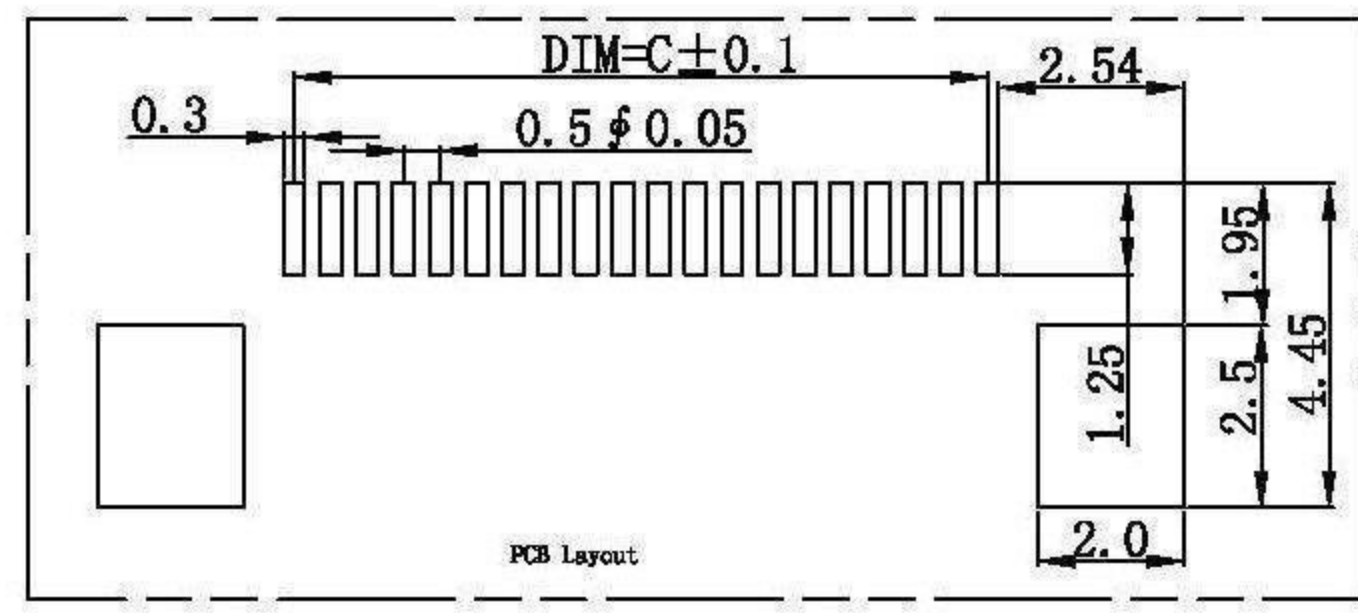


1 2 3 4 5 6 7 8

A
B
C
D
E
F
G
H

A
B
C
D
E
F
G
H



Electrical

Item	Requirement	Test Condition
Rated Voltage	50V(ac/dc)	
Rated Current	0.5Amp(ac/dc)	
Contact Resistance	20mΩ Maximum	Mate connectors measure by dry circuit 20mV max, 10mA.
Insulation Resistance	100MΩ Minimum	Mate connectors, apply 500V dc between adjacent terminal or ground.
Dielectric Strength	No Breakdown	Mate connectors, apply 250V ac for 1 minute between adjacent terminal or ground.

PIN數	DIM=A	DIM=B	DIM=C	DIM=D
43P	25.9	23	21	22.1
44P	26.4	23.5	21.5	22.6
45P	26.9	24	22	23.1
46P	27.4	24.5	22.5	23.6
47P	27.9	25	23	24.1
48P	28.4	25.5	23.5	24.6
49P	28.9	26	24	25.1
50P	29.4	26.5	24.5	25.6
51P	29.9	27	25	26.1
52P	30.4	27.5	25.5	26.6
53P	30.9	28	26	27.1
54P	31.4	28.5	26.5	27.6
55P	31.9	29	27	28.1
56P	32.4	29.5	27.5	28.6
57P	32.9	30	28	29.1
58P	33.4	30.5	28.5	29.6
59P	33.9	31	29	30.1
60P	34.4	31.5	29.5	30.6

PIN數	DIM=A	DIM=B	DIM=C	DIM=D
06P	7.4	4.5	2.5	3.6
07P	7.9	5	3	4.1
08P	8.4	5.5	3.5	4.6
09P	8.9	6	4	5.1
10P	9.4	6.5	4.5	5.6
11P	9.9	7	5	6.1
12P	10.4	7.5	5.5	6.6
13P	10.9	8	6	7.1
14P	11.4	8.5	6.5	7.6
15P	11.9	9	7	8.1
16P	12.4	9.5	7.5	8.6
17P	12.9	10	8	9.1
18P	13.4	10.5	8.5	9.6
19P	13.9	11	9	10.1
20P	14.4	11.5	9.5	10.6
21P	14.9	12	10	11.1
22P	15.4	12.5	10.5	11.6
23P	15.9	13	11	12.1
24P	16.4	13.5	11.5	12.6
25P	16.9	14	12	13.1
26P	17.4	14.5	12.5	13.6
27P	17.9	15	13	14.1
28P	18.4	15.5	13.5	14.6
29P	18.9	16	14	15.1
30P	19.4	16.5	14.5	15.6
31P	19.9	17	15	16.1
32P	20.4	17.5	15.5	16.6
33P	20.9	18	16	17.1
34P	21.4	18.5	16.5	17.6
35P	21.9	19	17	18.1
36P	22.4	19.5	17.5	18.6
37P	22.9	20	18	19.1
38P	23.4	20.5	18.5	19.6
39P	23.9	21	19	20.1
40P	24.4	21.5	19.5	20.6
41P	24.9	22	20	21.1
42P	25.4	22.5	20.5	21.6

Materials

Insulator	NYLON 46
Latch	L.C.P
Terminal	Phosphor Bronze.
Plated	Tin over nickel. RoHS
Applicable	FFC and FPC 0.3mm
Ambient Temperaturd Range	-20 degree to +85 degree

RoHS Compliant

HSM 玄茂科技股份有限公司
HSUAN MAO TECHNOLOGY CO., LTD.

APPD. 核准 BETTY
DWG. 製圖 KAREN
DATE 創表日 2012/08/10

TOLERANCE 容許公差
0.0 ±0.25
0.00 ±0.15
0.000 ±0.05
Angle: ±2°
SCALE 比例 參考
UNIT 單位 MM
PAGE 張數 1 OF 1
REV. 版本 B

PART NAME 品名
FPC/FFC ZIF 0.5mm SMT TYPE HORIZONTAL
KASY-ON TYPE XXP LOWER CONTACT
TIN PLATING IVORY COLOR ROHS
PART NO. 料號 C3929-XXBTX100R

1 2 3 4 5 6 7 8