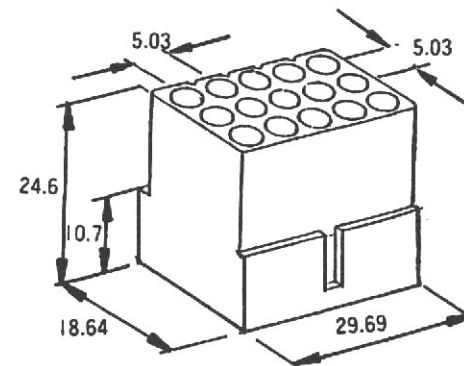
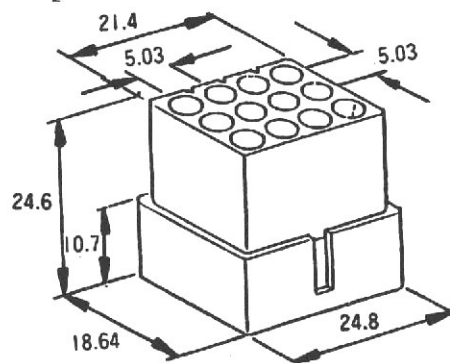
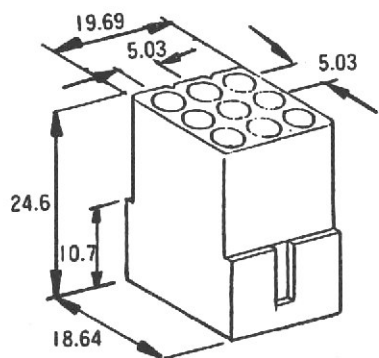
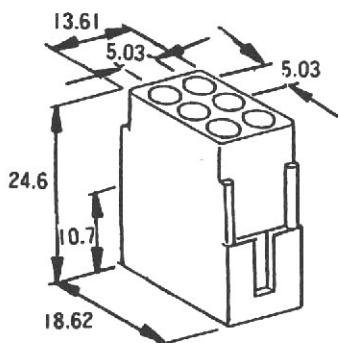


SPECIFICATIONS

Current Rating: 15A, AC, DC
 Voltage Rating: 300V AC, DC
 Temperature Range: -25° C~+105° C
 Contact Resistance: 10m ohms MAX.
 Withstanding Voltage: 1500V AC/Minute



玄茂科技股份有限公司
HSUAN MAO TECHNOLOGY CO., LTD.

UNIT

SCALE

PART NAME

MM

2:1

6.3mm 2.36 φ HOUSING
(WITHOUT EAR)

制表日: 2002/07/18

DRAWING.

APPROVED

APPD.

CKD.

TOLERANCE

PART NO.

REV.

Jane

± 0.2

H2030-XXPXNW00

A