



Feature -

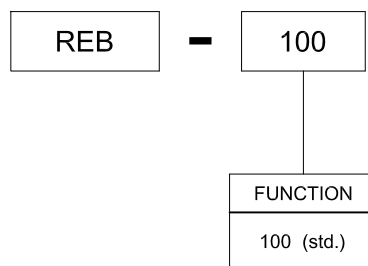
Good operation feel

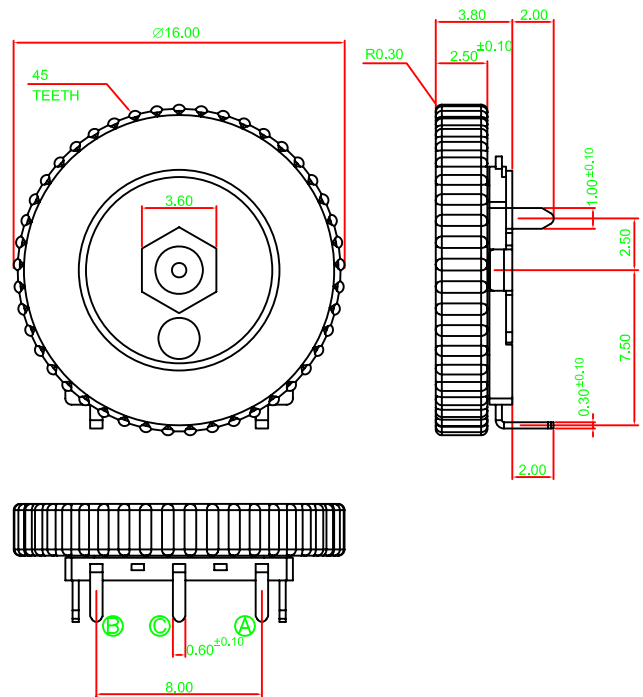
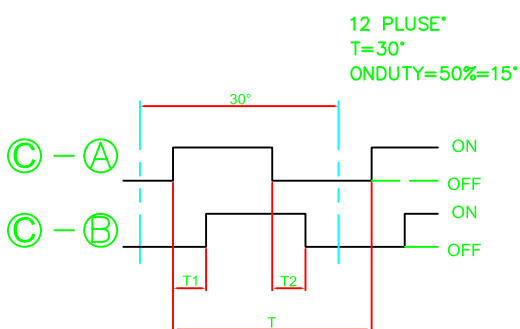
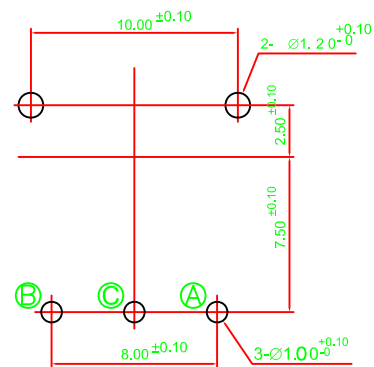
Applications -

Notebook digital frame PDA various communication devices

► SPECIFICATIONS

SWITCH SPECIFICATIONS	
CONTACT RATING	5 V DC , 1mA
INSULATION RESISTANCE	10 MΩ min . 500 V DC
DIELECTRIC STRENGTH	Breakdown is not Allowable ; 500 V AC for 1 Minute
OPERATING FORCE	3~60g
OPERATING LIFE	20,000 cycles
OPERATING TEMPERATURE RANGE	-20°C ~ 70°C

► HOW TO ORDER


► DIMENSION
► REB-100

► SCHEMATIC

► P.C.B. LAYOUT

► UNIT WEIGHT

■ REB-100 - 0.97 ± 0.05 g / pcs

► MATERIAL

- FRAME - PA
- BASE FRAME - PA + GF
- TERMINAL - BRASS SILVER PLATING