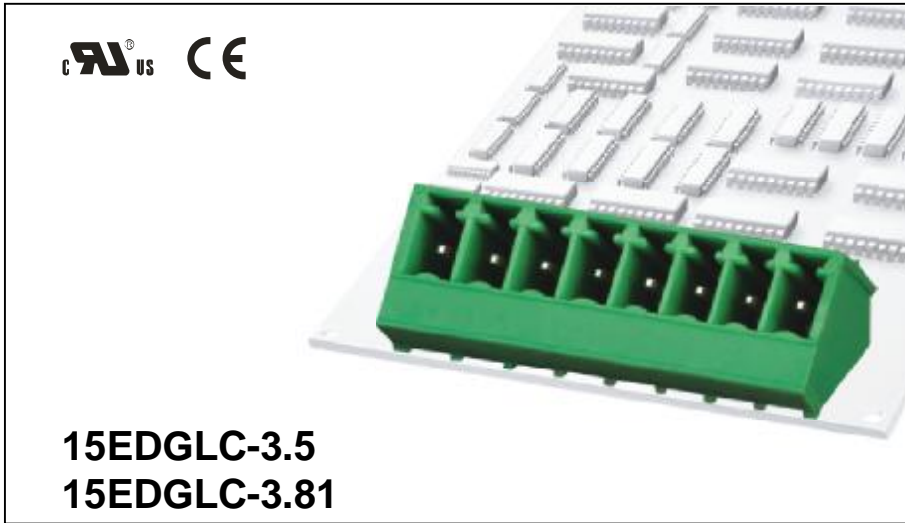


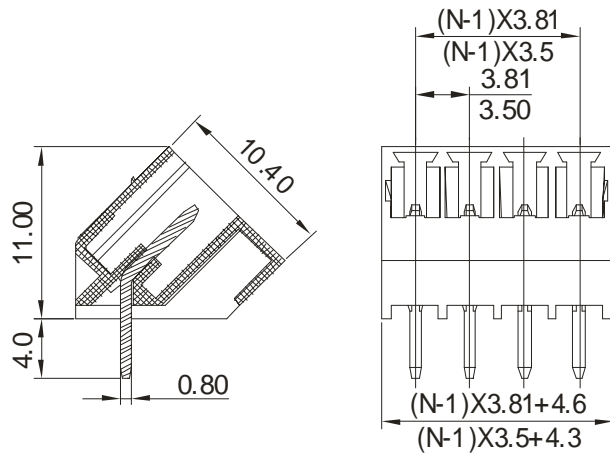


DEGSON ELECTRONICS CO., LTD.

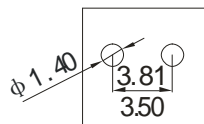
Product Specification



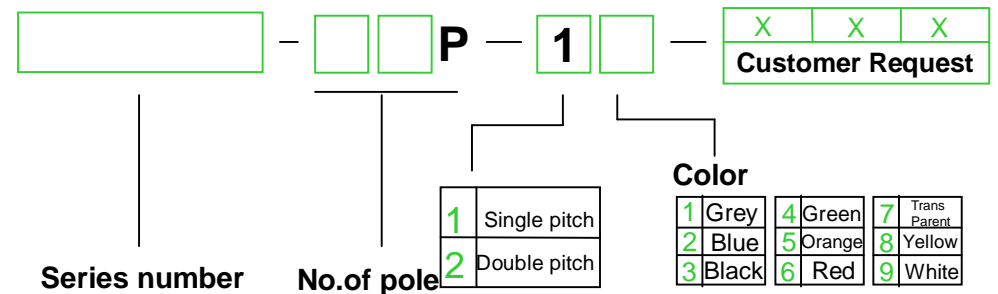
APPROVAL		
Electrical		
Standard	UL	IEC
Rated voltage	300V	250V
Rated current	8A	7A
Withstanding voltage	AC2000V/1Min	
Mechanical		
Ambient temperature	-40°C~+105 °C	
Dimensions		
Pitch	3.5mm(.138") 3.81mm(.150")	
Poles	2P-24P	
Material		
Housing	PA66,UL94 V-0	
Pin header	Brass,Tin-plated	



PCB LAYOUT



HOW TO ORDER :



	DEGSON ELECTRONICS CO., LTD.
	NAME 15EDGLC-3.5, 15EDGLC-3.81