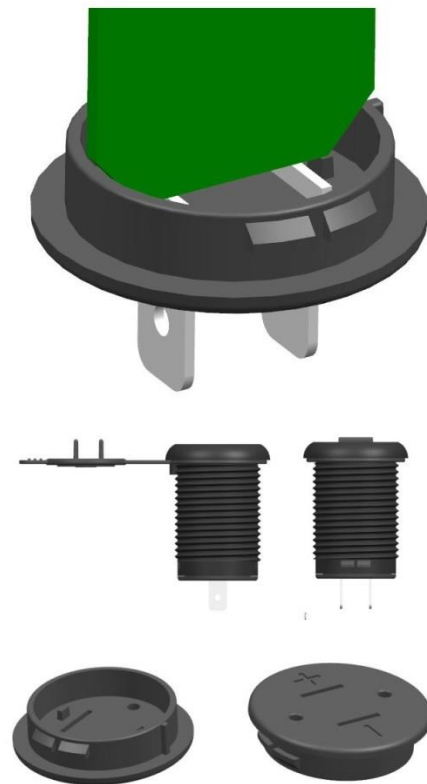
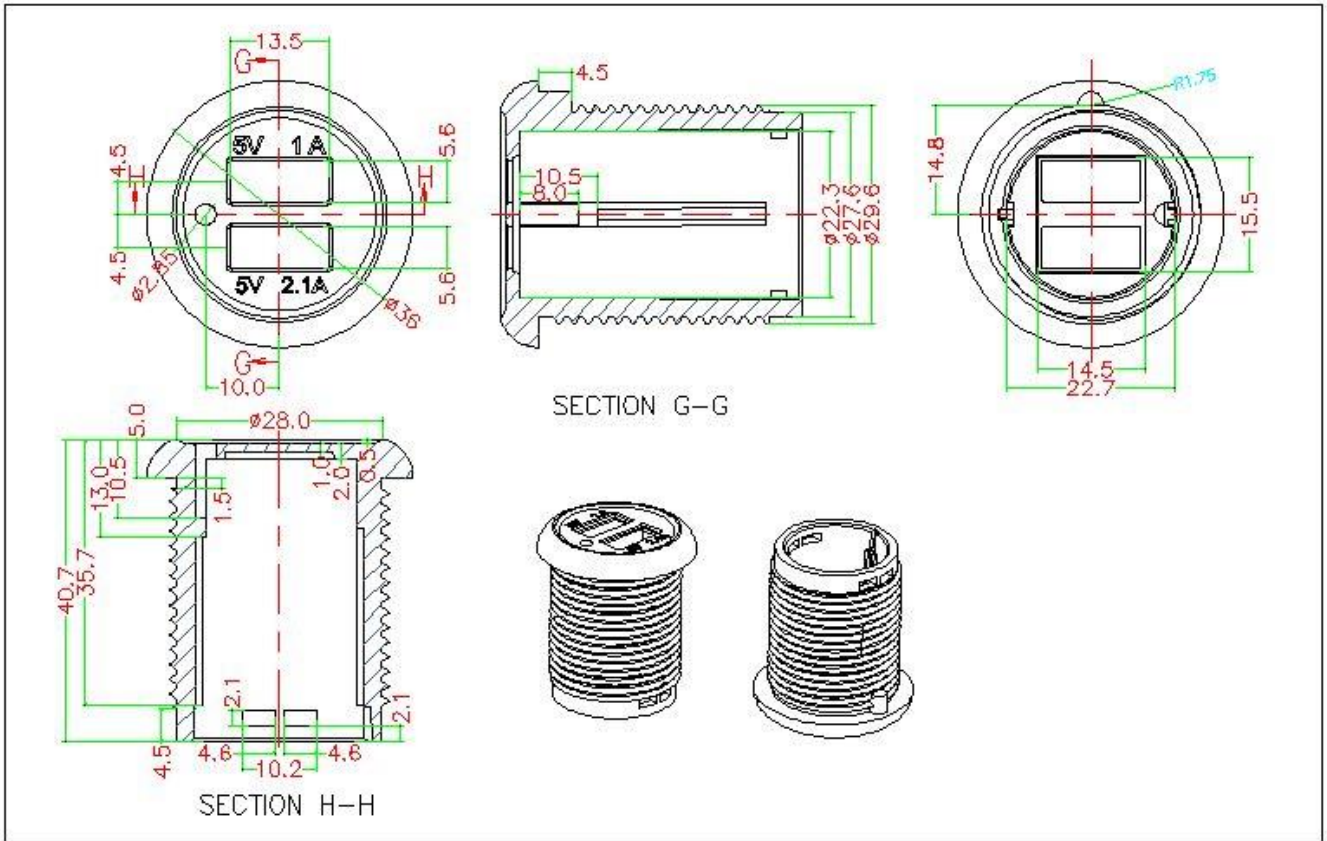


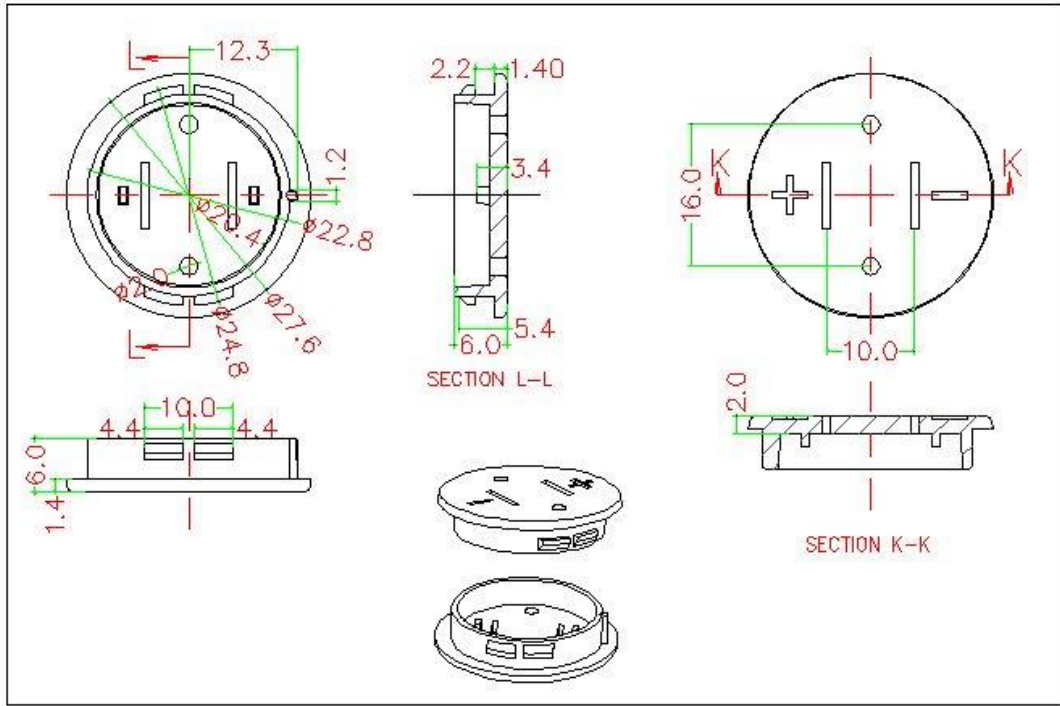
Product Specification

USB SOCKET BUTTON

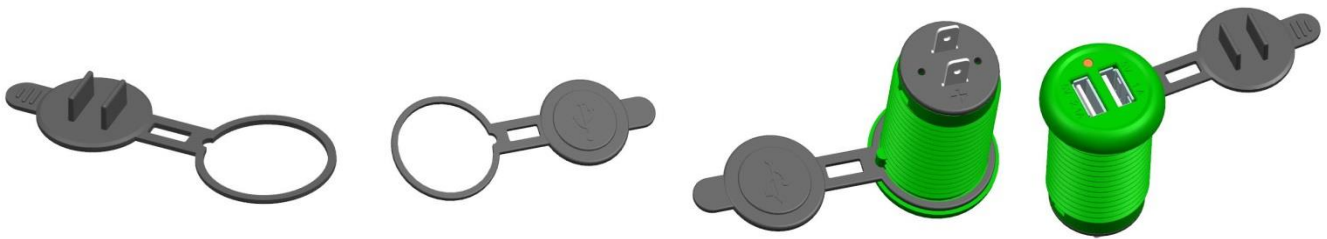
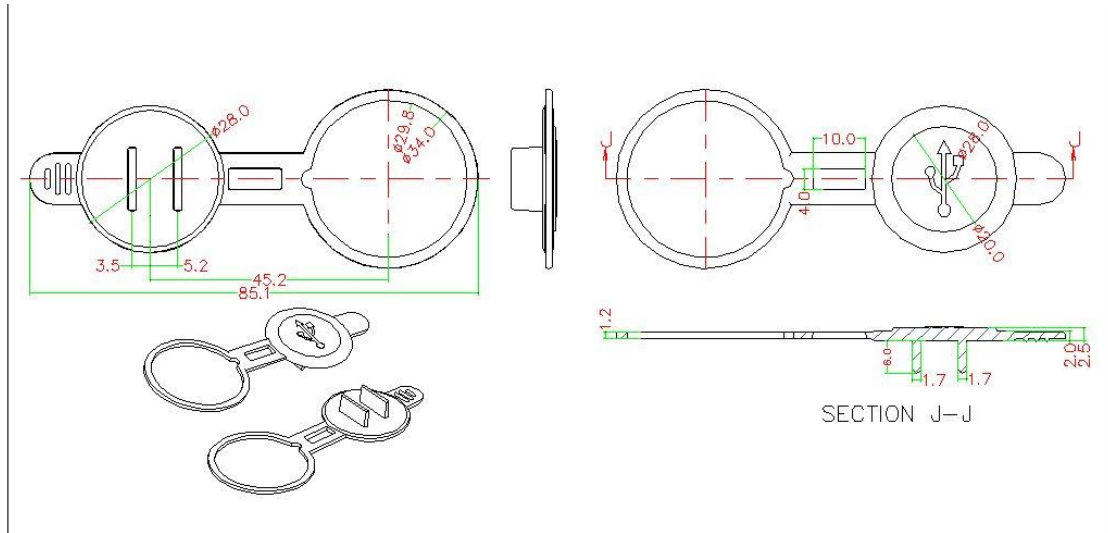


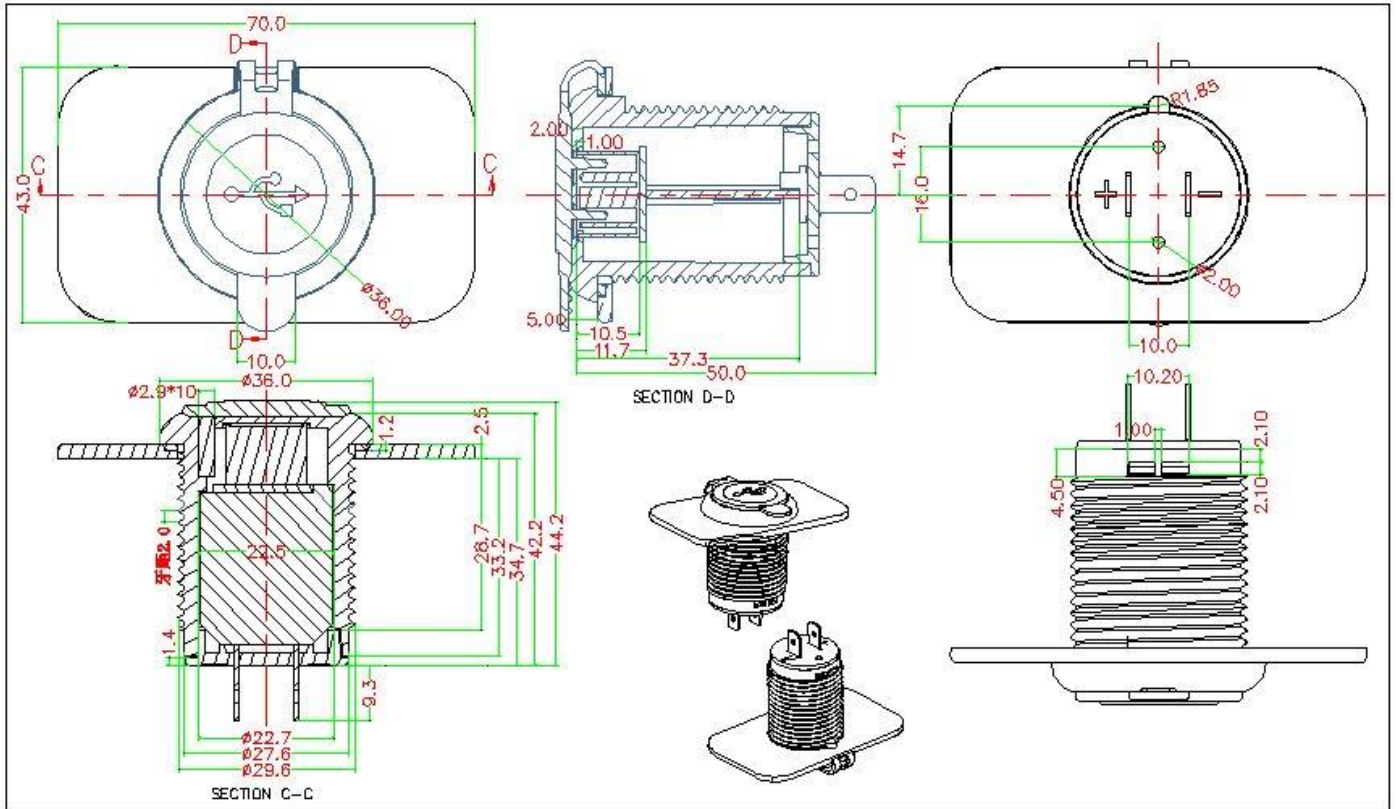
1. BOTTOM BEZEL SPEC





2. COVER (防水蓋)





Item : 88-P-USB-SOCKET

Input : 6V~27V DC

Output : 5V±5% 3.1A DC

2 Port USB Socketx1

