

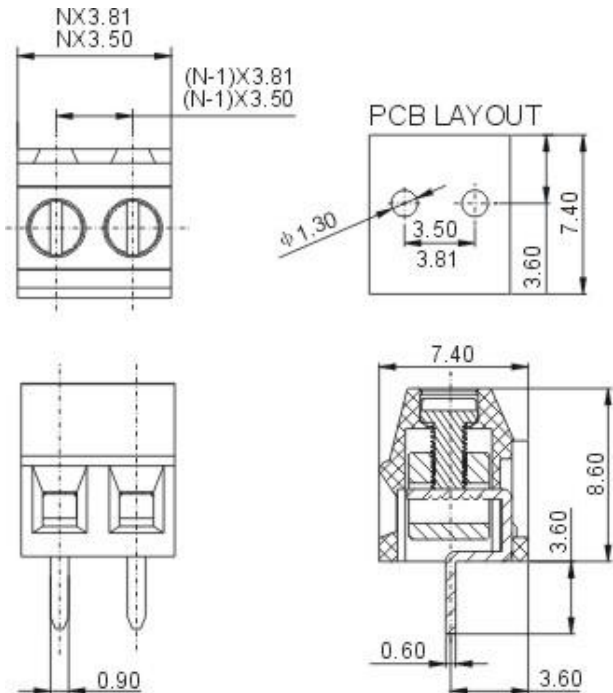
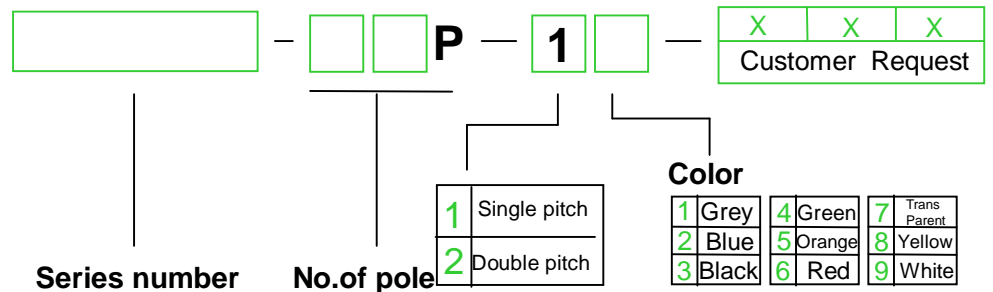



APPROVAL Electrical		
Standard	UL	IEC
Rated voltage	150V,300V	130V
Rated current	10A	10A
Wire range	26-16AWG	1.0mm ²
Withstanding voltage	AC1250V/1Min	
Menchanical		
Torque	0.2Nm(1.7Lb-In)	
Ambient temperature	-40°C~+105 °C	
Strip length	5mm	
Dimensions		
pitch	3.5mm(.138") 3.81mm(.150")	
Poles	2P,3P-24P	
Material		
Housing	PA66,UL94V-0	
Screws	M2,Steel, Cr ³⁺ Znplated	
Pin header	Phosphor bronze,Tin-plated	
Cage	Brass,Ni-plated	



HOW TO ORDER :



mm (INCH)	 DEGSON ELECTRONICS CO., LTD.
THROANGLE PROJECTION	NAME DG381-3.5 DG381-3.81