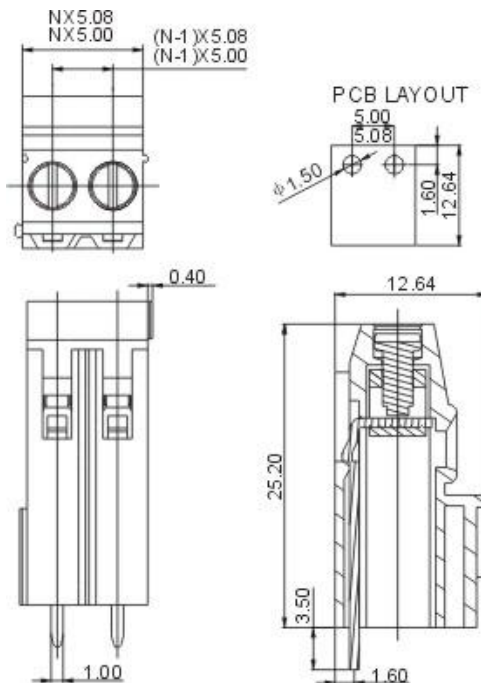


**DG500H-5.0**  
**DG500H-5.08**



### APPROVAL Electrical



### Standard

UL

IEC

Rated voltage

300V

250V

Rated current

20A

24A

Wire range

28-12AWG

2.5mm<sup>2</sup>

Withstanding voltage

AC2000V/1Min

### Menchanical

Torque

0.4Nm(3.5Lb-In)

Ambient temperature

-40°C~+105°C

Strip length

7mm

### Dimensions

pitch

5.0mm(.197" ) 5.08mm(.200" )

Poles

2P,3P-24P

### Material

Housing

PA66,UL94V-0

Screws

M2.5,Steel, Cr<sup>3+</sup> Znplated

Pin header

Brass,Tin plated

Cage

Brass,Ni plated

### HOW TO ORDER :

-   **P** -   - 

X	X	X
Customer Request		

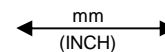
Series number

No.of pole

1	Single pitch
2	Double pitch

### Color

1	Grey	4	Green	7	Trans Parent
2	Blue	5	Orange	8	Yellow
3	Black	6	Red	9	White



DEGSON ELECTRONICS CO., LTD.

NAME

**DG500H-5.0 DG500H-5.08**