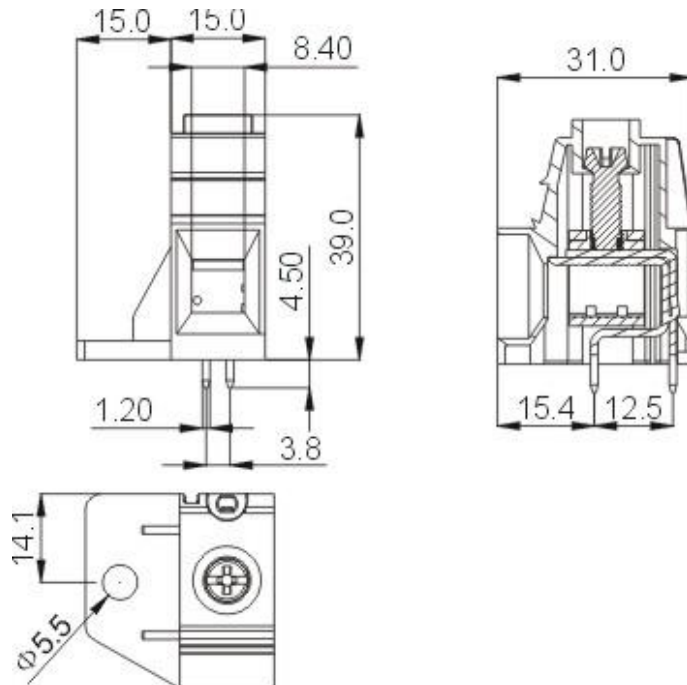


CE



DG137TM-15.0-10A



APPROVAL	CE	
Electrical	UL	IEC
Standard	600V	1000V
Rated voltage	90A	125A
Rated current	20-2AWG	25mm ²
Wire range	AC3500V/1Min	
Withstanding voltage		

Menchanical		
Torque	2.0Nm(17.5Lb-In)	
Ambient temperature	-40°C~+105 °C	
Strip length	18mm	
Dimensions		
pitch	15.0mm(. 590")	
Poles	1P	

Material		
Housing	PA66,UL94V-0	
Screws	M5,Steel, Cr ³⁺ Znplated	
Pin header	Copper, Tin-plated	
Cage	Steel,Cr ³⁺ Znplated	

HOW TO ORDER :

- **P** - -

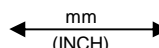


X	X	X
Customer Request		

Series number No. of pole

1	Single pitch
2	Double pitch

Color

1 Grey	4 Green	7 Trans Parent
2 Blue	5 Orange	8 Yellow
3 Black	6 Red	9 White

	 DEGSON ELECTRONICS CO., LTD.
	NAME DG137TM-15.0-10A