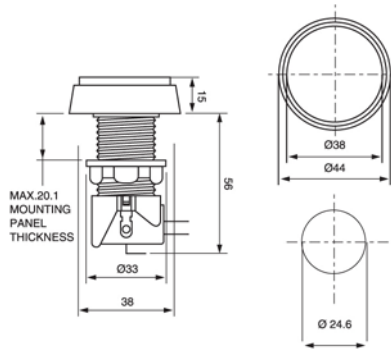
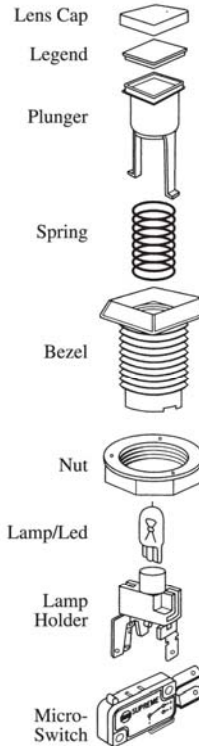


ILLUMINATED PUSH BUTTON S9603 (MEDIUM ROUND) SPECIFICATION

MODEL NO. S960-3



STANDARD
Parts of
Push Button



SPECIFY:
Shape/Color
Shape/Color/Printing

Black (standard)
Chrome Plated Optional

S960-P006

Type/Voltage
#161=14V (Standard)
OR LED BULB TO INSTEAD

S960=P008

250 Terminal (Standard)
187 Terminal
110 Terminal

RoHS
Compliant

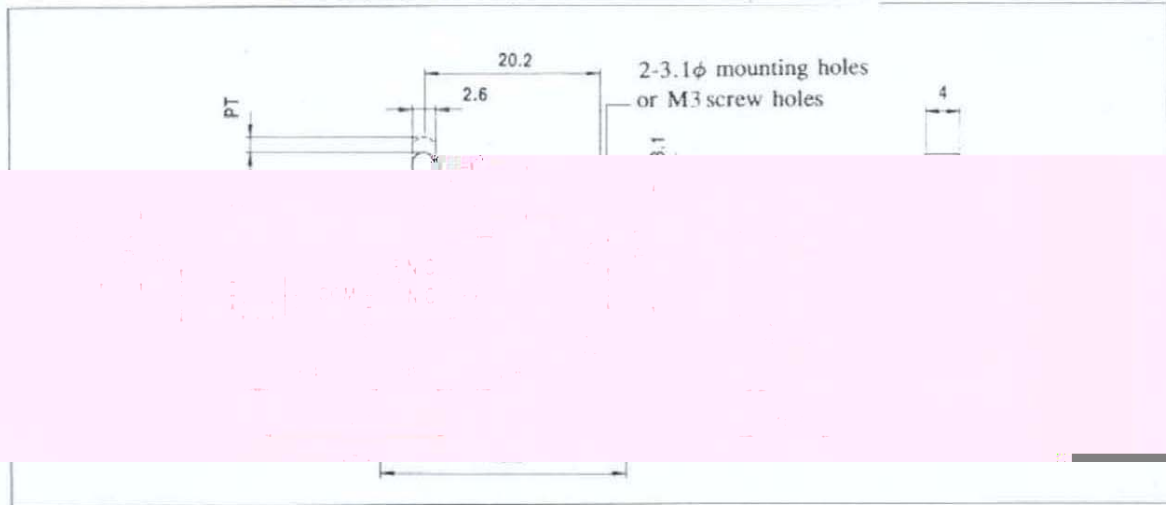


PATENTED IN TAIWAN

Specification	
Degree of protection	IP40
UV Resistance	Button material UVresistance 94
Max. current/ voltage rating with resistive load	5A 125VAC
Electrical Life Expectancy	200,000 cycles
Mechanical Life Expectancy	10,000,000 cycles
Operating Temperature	-30°C to +50°C
Initial contact resistance	30mΩ
Insulation resistance	100mΩ min. at 500VDC
Operating Force	30 to 400gf
Total Travel	1.5mm
Push Button Type	Momentary

Material	
Bezel	ABS 77
Lens Cap	PC
Legend	ABS
Plunger	POM
Lamp Holder	PC
Spring	SWP
Switch Case	PBT Resin (UL94-V0)
Contact	Silver plated brass

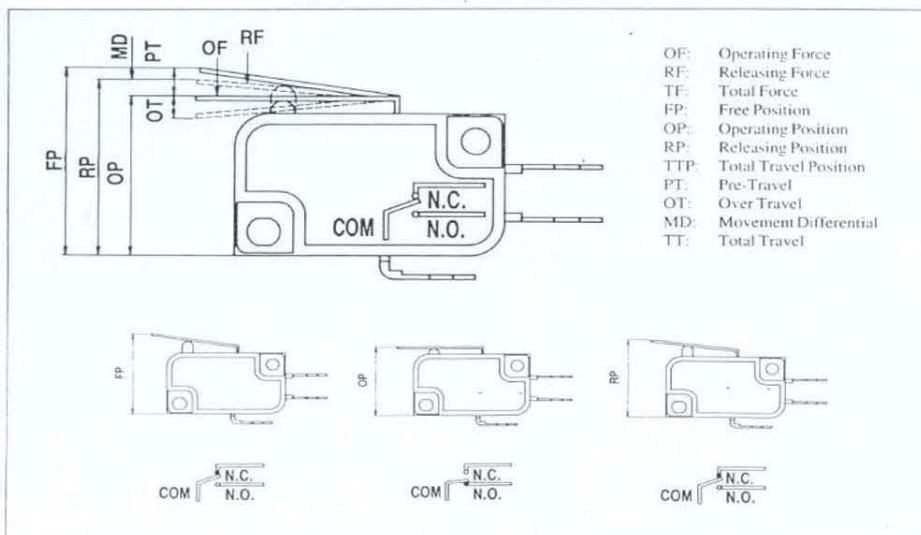
DIMENSION (OUTLINE DRAWING)



CHARACTERISTICS

- Operating speed 0.1mm/sec to 1m/sec
- Insulation Resistance 100MΩ min. (at 500VDC)
- Contact Resistance 15mΩ (initial)
- Ambient Temperature -25°C to +80°C
- Ambient Humidity Under 80% RH max.
- Service Life
 - Mechanical Over 5,000,000 Times
 - Electrical (at rate load) Over 200,000 Times
- Operating Frequency Less Than 600 operations/min

GENERAL INFORMATION



	Terminal Symbol	CODE	Contact Form
	COM. Common Terminal	0	Single Pole Double Throw (SPDT)
	N.O. Normally Open Terminal	1	Single Pole Single Throw Normally Open (SPST-NO)
	N.C. Normally Closed Terminal	2	Single Pole Single Throw Normally Closed (SPST-NC)

Specifications : WEDGE-T10-12V1.2W

Design voltage: 12VDC

Design current : 100mA \pm 10%

Tungsten filament shape: C-2V

Brightness M.S.C.P : 0.48 CP \pm 25%

Average Life Time : 1000 H

Base print : 12V1.2W

Icon :

