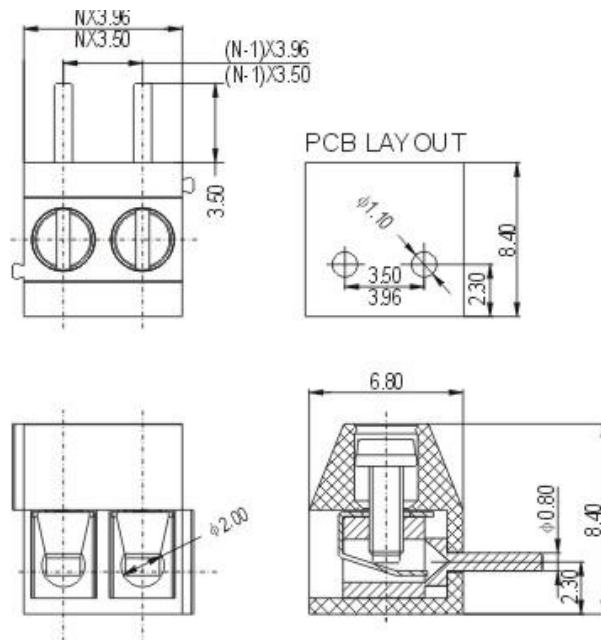


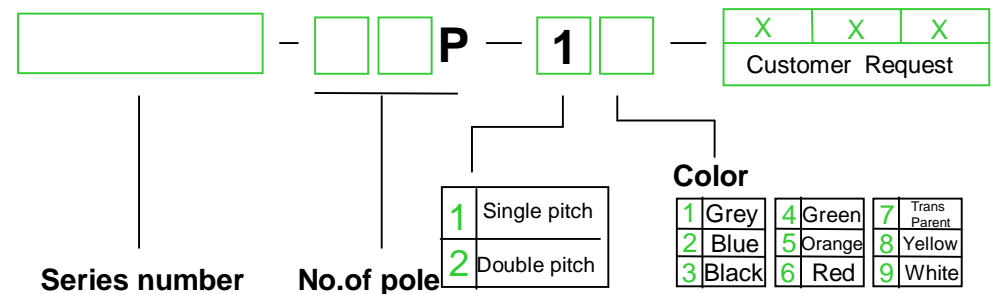


**DG350R-3.5**  
**DG350R-3.96**



<b>APPROVAL Electrical</b>		
Standard	<b>UL</b>	<b>IEC</b>
Rated voltage	300V	130V
Rated current	7A	10A
Wire range	24-18AWG	1.0mm <sup>2</sup>
Withstanding voltage	AC1250V/1Min	
<b>Menchanical</b>		
torque	0.2Nm(1.7Lb-In)	
Ambient temperature	-40°C~+105 °C	
Strip length	5-6mm	
<b>Dimensions</b>		
pitch	3.5mm(.138" ) 3.96mm(.156")	
Poles	2P,3P-24P	
<b>Material</b>		
Housing	PA66,UL94V-0	
Screws	M2,steel, Cr <sup>3+</sup> Zn-plated	
Pin header	Brass,Tin plated	
Wire guard	Phosphor bronze	

### HOW TO ORDER :



	 <b>DEGSON ELECTRONICS CO., LTD.</b>
	<b>NAME DG350R-3.5 DG350R-3.96</b>